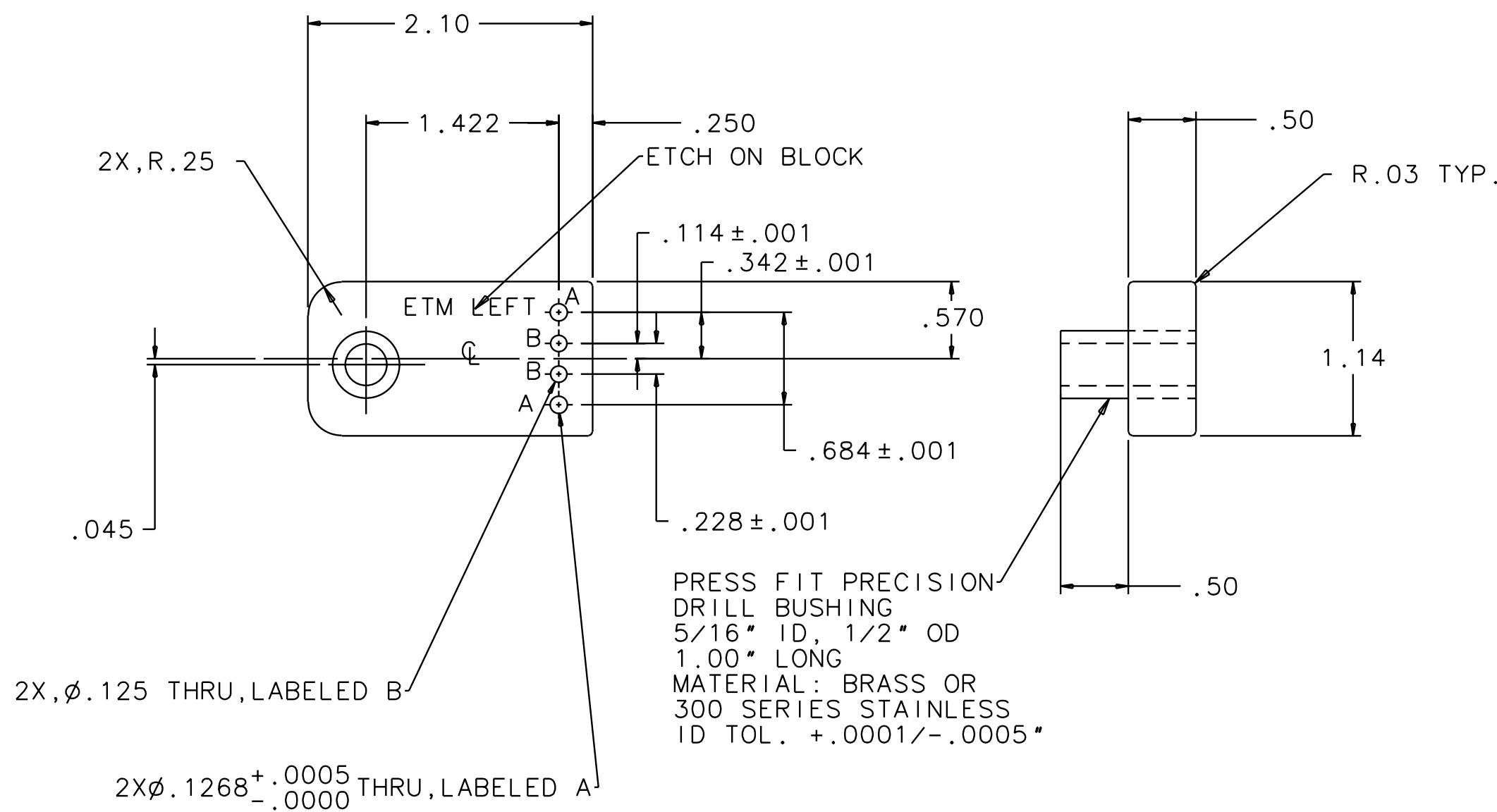


NOTES: (UNLESS OTHERWISE SPECIFIED)
 1. DIMENSIONS IN INCHES.

REV	DATE	DRAWN BY	CHECKED	DCC	DCN/DESCRIPTION
A	9/7/01	J.ROMIE			E010162/INITIAL RELEASE



PRESS FIT PRECISION
 DRILL BUSHING
 5/16" ID, 1/2" OD
 1.00" LONG
 MATERIAL: BRASS OR
 300 SERIES STAINLESS
 ID TOL. +.0001/- .0005"

QTY REQD	FSCM NO	PART OR IDENTIFYING NO	NOMENCLATURE OR DESCRIPTION	MATERIAL SPECIFICATION	ITEM NO
PARTS LIST					
UNLESS OTHERWISE SPECIFIED DIMENSIONS ARE IN INCHES TOLERANCES ARE: FRACTIONS DECIMALS 0.XX=±0.01 0.XXX=±0.005 ANGLES=±0.5° DO NOT SCALE DRAWING			APPROVALS DRAWN J.ROMIE CHECKED	DATE 9/01	LIGO CALIFORNIA INSTITUTE OF TECHNOLOGY MASSACHUSETTS INSTITUTE OF TECHNOLOGY TITLE 40m ETM LEFT EAR DWG NO. D010197-A
NEXT ASSEMBLY D010182	MATERIAL ALUM 6061-T6	FINISH NONE	SCALE 1/1		SHEET 1 OF 1