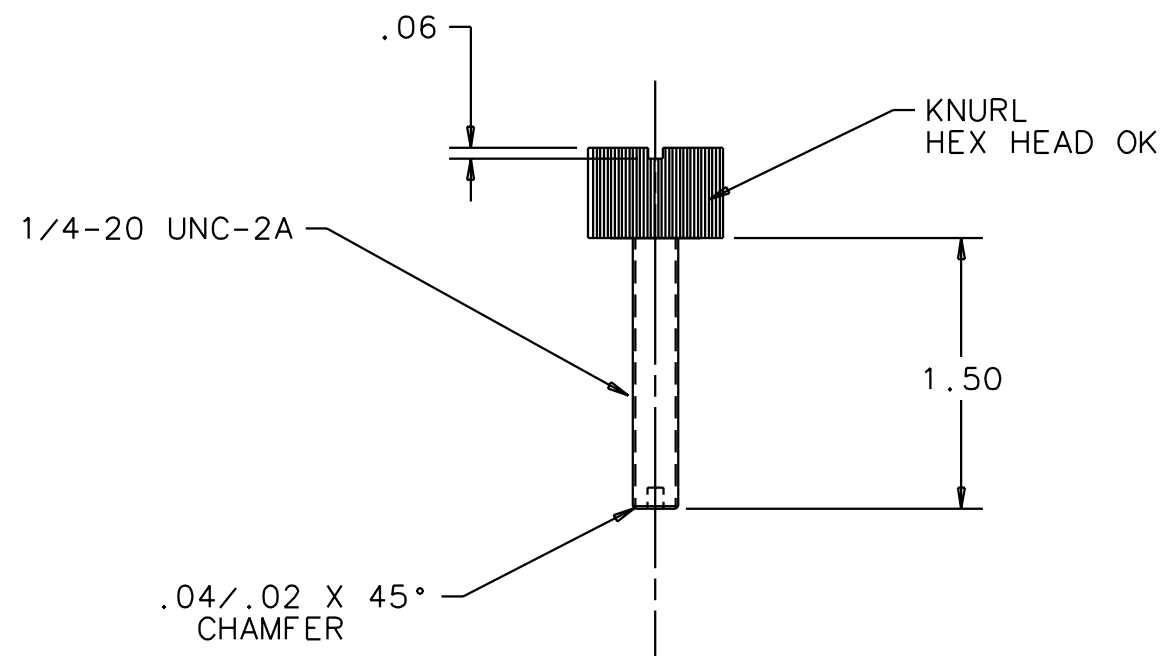
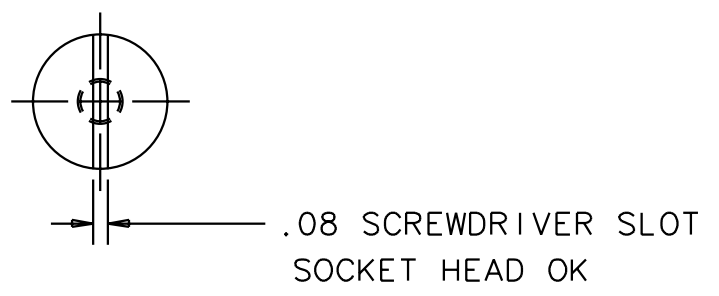
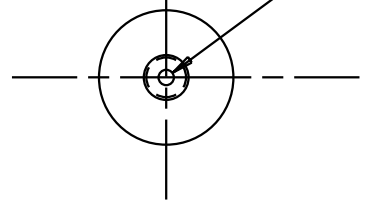


REV	DATE	DRAWN BY	CHECKED	DCC	DCN/DESCRIPTION
A	9/27/01	J. Romie			E010176/INITIAL RELEASE

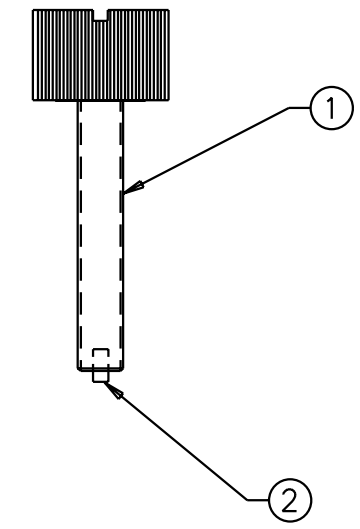
NOTES: (UNLESS OTHERWISE SPECIFIED)
 1. DIMENSIONS IN INCHES.
 2. BREAK ALL SHARP EDGES.
 3. WEDGE ITEM 2 INTO COUNTERBORE OF ITEM 1 UNTIL FIRMLY LODGED IN PLACE.



∠ ϕ .086, ∇ .120



SCREW DETAIL
 ITEM 1



QTY REQD	PART OR IDENTIFYING NO	NOMENCLATURE OR DESCRIPTION	MATERIAL SPECIFICATION	ITEM NO
1	D010074	SOS FLUOREL TIP	FLUOREL	2
1		SCREW DETAIL	SILVER PLATED STAINLESS	1

UNLESS OTHERWISE SPECIFIED DIMENSIONS ARE IN INCHES TOLERANCES ARE:		APPROVALS		DATE	PARTS LIST	
FRACTIONS	DECIMALS	ANGLES	DRAWN	9/01	LIGO CALIFORNIA INSTITUTE OF TECHNOLOGY MASSACHUSETTS INSTITUTE OF TECHNOLOGY	
0.XX	±0.01		J.ROMIE		TITLE	
0.XXX	±0.005		CHECKED		40m TM SHORT STOP	
ANGLES	±0.5°				DWC NO. D010213	
DO NOT SCALE DRAWING					REV	A
NEXT ASSEMBLY	D010163	MATERIAL	SEE NOTE		SCALE	1/1
FILE LOCATION	/home/dcc/docs/D010213.pdf	FINISH	SEE NOTE		SHEET 1 OF 1	