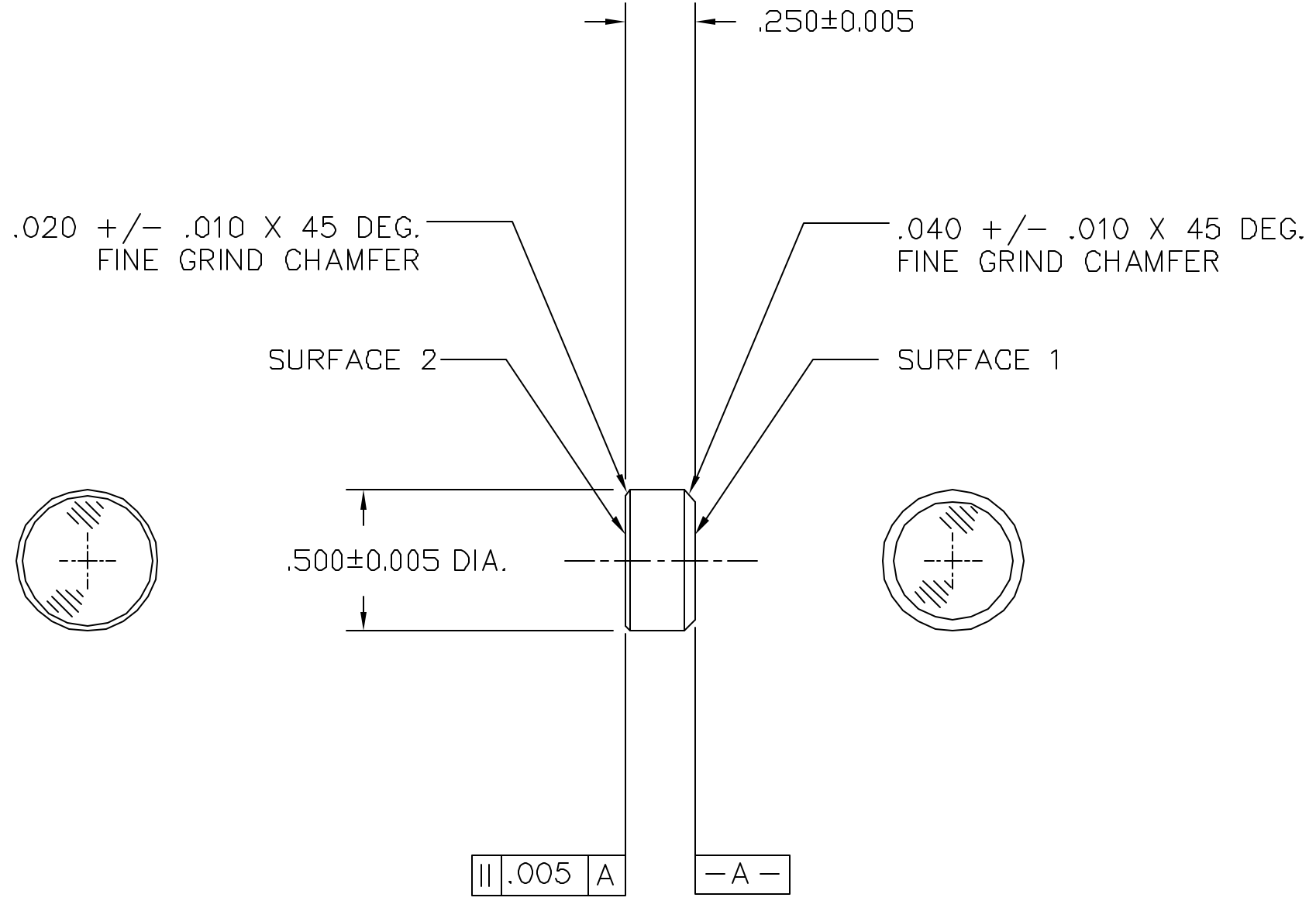


NOTES: (UNLESS OTHERWISE SPECIFIED)

MATERIAL: GLASS # 24935

SURFACE 1: 1/10 WAVE FLAT
SURFACE QUALITY: 80/50

SURFACE 2: SURFACE QUALITY: 80/50
NOMINALLY FLAT



REF.	QTY.	PART or DRWG No.	NOMENCLATURE or DESCRIPTION	MATERIAL
------	------	------------------	-----------------------------	----------

PARTS and MATERIAL LIST									
REV	DESCRIPTION	QCN NUMBER	APPR'D	CHECK	DRWN	DATE	DWG. FILE	SIZE	DWG. NO.
A	LIGO-E020179-00-D		HELENA	Kern	1-29-02				
00	NEW-RELEASE		HELENA	Kern	10-19-01				
							D010232-A	B	D010232-A

UNLESS OTHERWISE SPECIFIED DIMENSIONS ARE IN INCHES			
TOLERANCES: FRACTIONAL ± 1/16 ANGULAR ± .20 ANGULAR MACH ± BEND ± TWO PLACE DECIMAL ± .01	HEAT TREAT /	FINISH	THREE PLACE DECIMAL ± .005 FINISHED SURFACE RMS 63 BREAK CORNERS IN .015 OUT .015 REMOVE ALL BURRS
MATERIAL SEE NOTES			
USED ON XXX	NEXT ASS'Y: XXX		

DWG. NO.	DESCRIPTION	SCALE	SHEET
REFERENCE DRAWINGS		1:1	1 OF 1

LIGO CALIFORNIA INSTITUTE OF TECHNOLOGY
MASSACHUSETTS INSTITUTE OF TECHNOLOGY

ROUND
SUBSTRATE .5 INCH