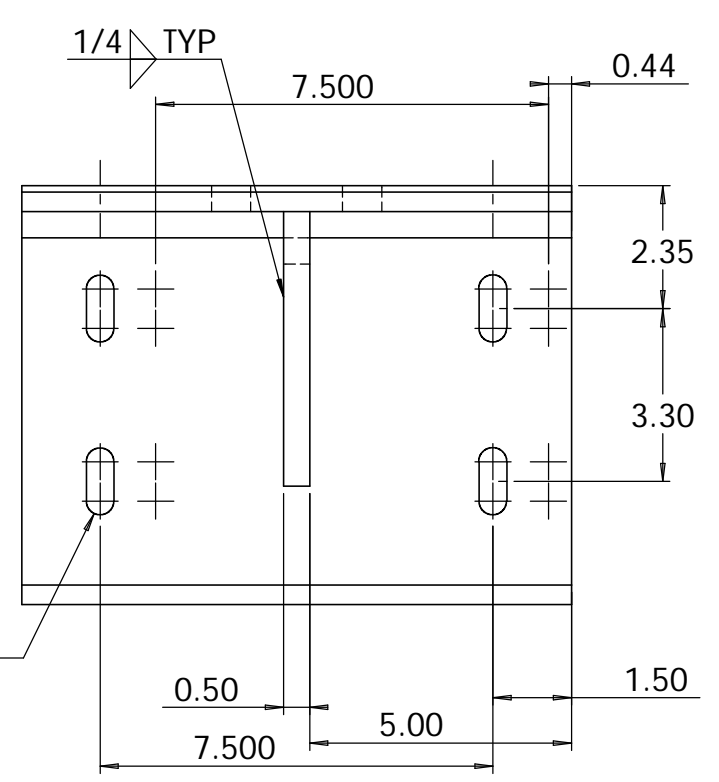
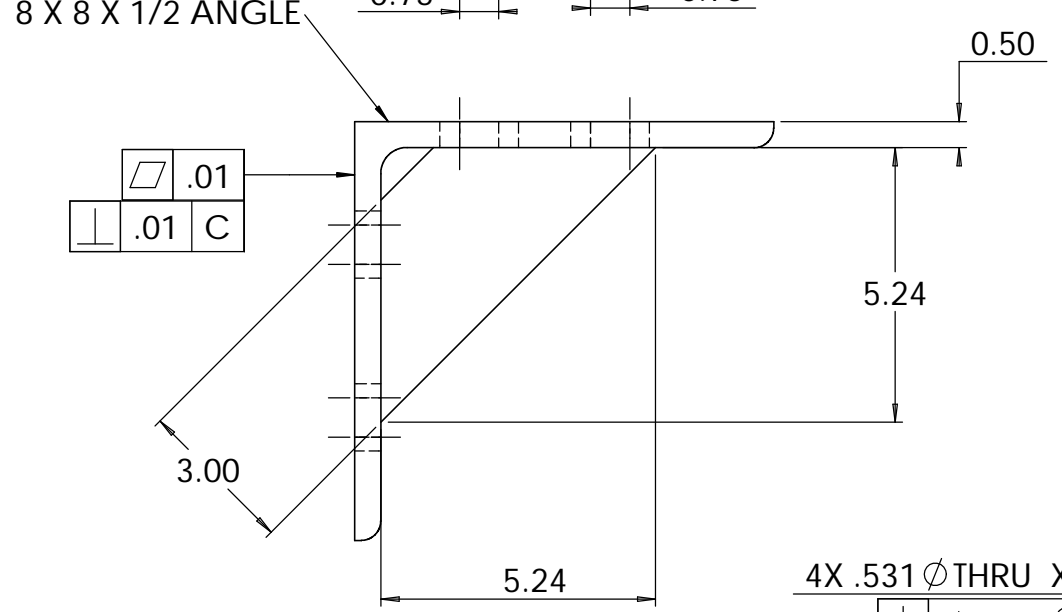
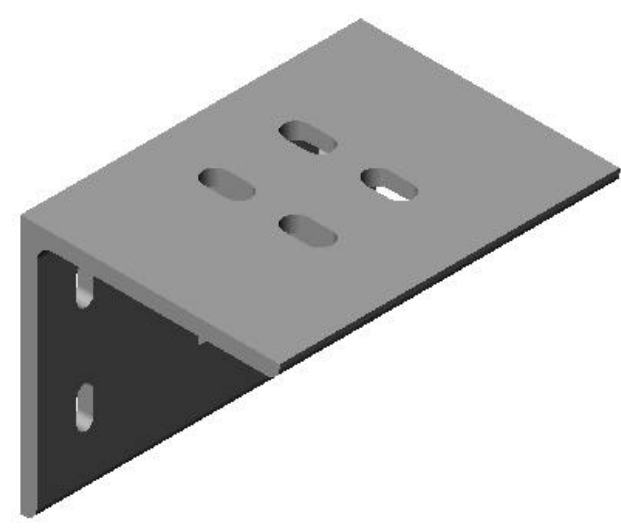
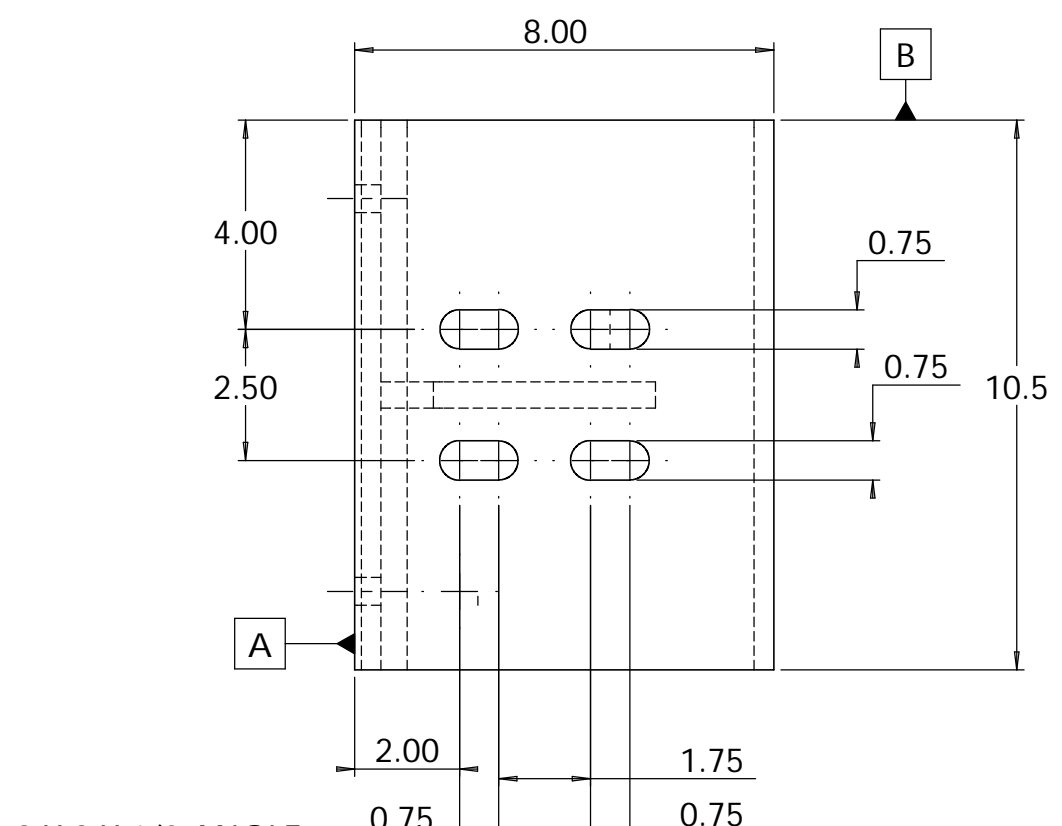


| REVISIONS | | | |
|-----------|-------------|------|----------|
| REV. | DESCRIPTION | DATE | APPROVED |
| | | | |
| | | | |
| | | | |



4X .531 Ø THRU X .75 LG SLOT

| | | | | | |
|--|--------|--|---|---|---|
| | Ø .010 | | A | B | C |
|--|--------|--|---|---|---|

NOTES: UNLESS OTHERWISE SPECIFIED
 1. REMOVE ALL BURRS AND BREAK SHARP EDGES TO A MAXIMUM OF .015
 2. PART NUMBER (DRAWING NO., DASH NO., REVISION NO., SERIAL NO.) TO BE CLEARLY MARKED ON THE PART ITSELF
 3. PAINT:
 ALL VISIBLE SURFACES
 MEDIUM BLUE SHERWIN WILLIAMS (POLANE (R) T-PLUS
SolidWorks Educational License 53TX-L-2822-5864
 WILLIAMS INDUSTRIAL WASH PRIMER P60G2
Instructional Use Only
 4. "CALSOLEV RUST INHIBITOR" TO BE APPLIED PER MFG. INSTRUCTIONS TO ALL UNPAINTED SURFACES.
 BOTH TAPPED AND THRU HOLES WILL BE PLUGGED DURING APPLICATION.

| | | | |
|---|---|--------|--|
| UNLESS OTHERWISE SPECIFIED DIMENSIONS ARE IN INCHES TOLERANCES ARE: DECIMALS ANGLES .X ± .06 .XX ± .01 ±1 .XXX ± .005 | CAD GENERATED DRAWING, DO NOT MANUALLY UPDATE | | CALIFORNIA INSTITUTE OF TECHNOLOGY MASSACHUSETTS INSTITUTE OF TECHNOLOGY HORIZONTAL ANGLE MOUNT HYDRAULIC ISOLATOR |
| | APPROVALS | DATE | |
| | DRAWN D. MASON | 1/9/02 | |
| | CHECKED K. MASON | 1/9/02 | |
| MATERIAL ASTM A36 STEEL | RESP ENG | | SIZE DWG. NO. D020016-A-D SCALE 1:3.5 CAD FILE: D020016-A.SLDDRW SHEET 1 OF 1 |
| FINISH SEE NOTES | MFG ENG | | |
| DO NOT SCALE DRAWING | QUAL ENG | | |