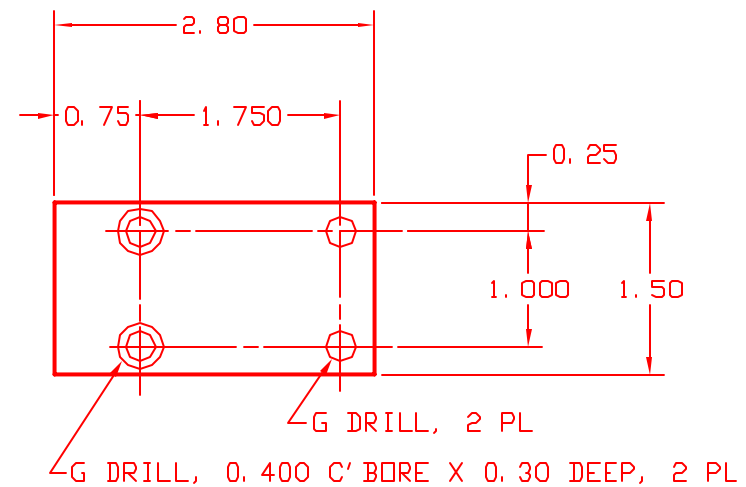
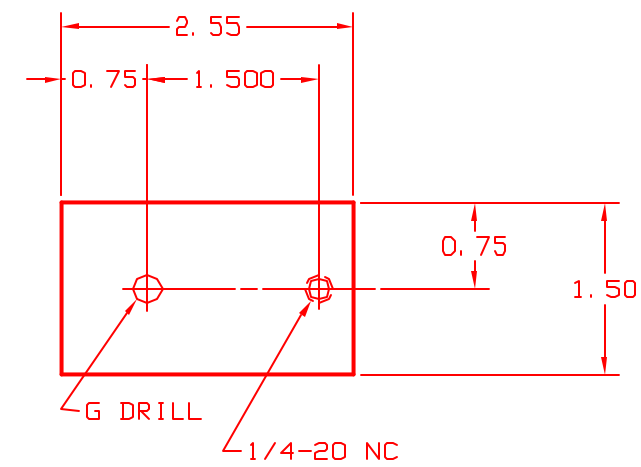


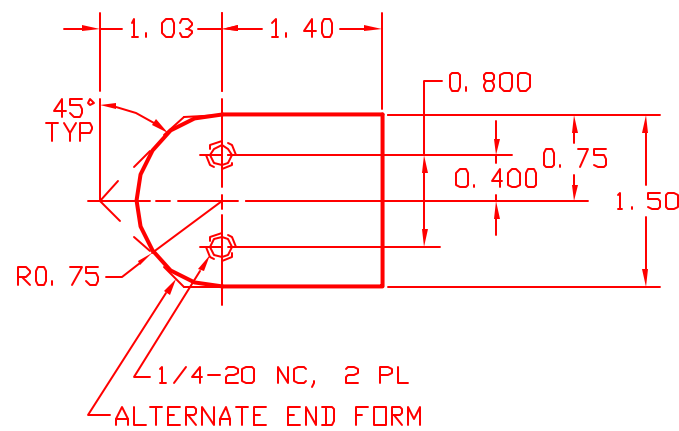
-1 CORNER POST FOOT
 THICKNESS: 0.50"
 29 REQ' D
 MAT'L: 6061-T6 ALUMINUM



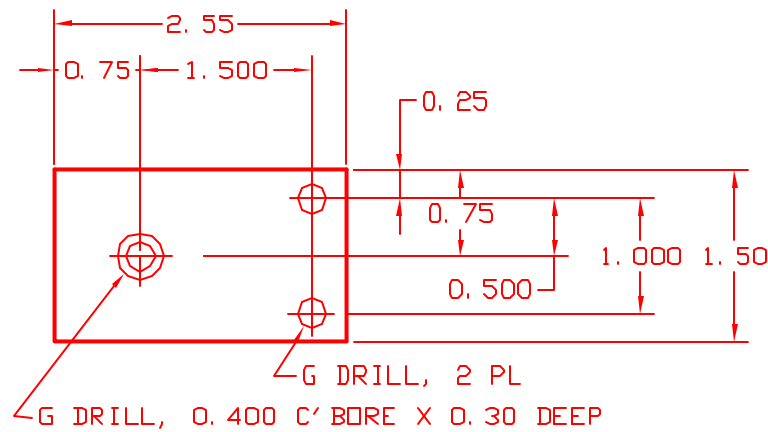
-2 WALL POST FOOT
 THICKNESS: 0.50"
 37 REQ' D
 MAT'L: 6061-T6 ALUMINUM



-3 CENTRAL LINK
 THICKNESS: 0.50"
 21 REQ' D
 MAT'L: 6061-T6 ALUMINUM



-4 CORNER LINK
 THICKNESS: 0.50"
 3 REQ' D
 MAT'L: 6061-T6 ALUMINUM



-5 CENTRAL POST FOOT
 THICKNESS: 0.50"
 17 REQ' D
 MAT'L: 6061-T6 ALUMINUM

NOTES:

1. REMOVE ALL SHARP EDGES.
2. ETCH FOR MATTE FINISH
3. ANODIZE DYE BLACK.

ALL DIMENSIONS ARE IN INCHES

TOLERANCES: X.XXX: +/- 0.005"
 X.XX: +/- 0.03"
 X.X: +/- 0.1"

D020086-00-R
 FEET & LINKS, TABLE COVER
 40M LAB LIGO PROJECT
 L JONES 2/20/02