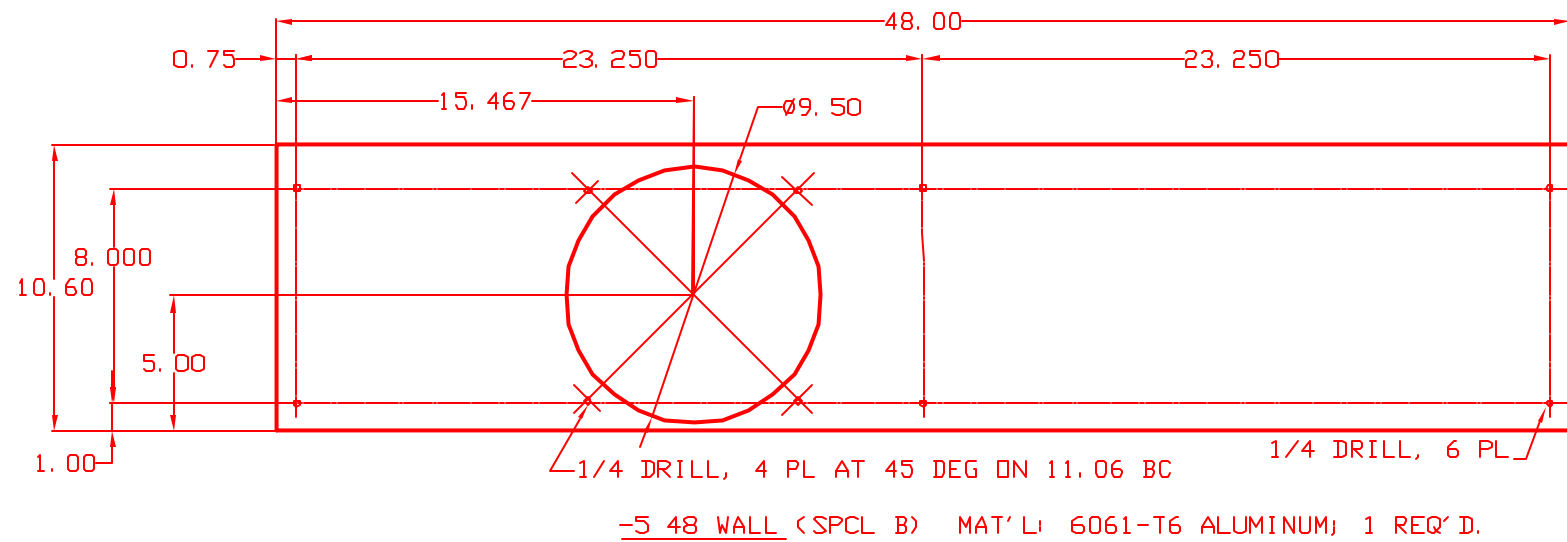


MATERIAL THICKNESS, ALL WALLS: 16 GA



- NOTES:
1. REMOVE ALL SHARP EDGES.
 2. ETCH FOR MATTE FINISH
 3. ANODIZE DYE BLACK.
 4. TAKE CARE TO PRESERVE FLATNESS DURING FABRICATION AND SHIPPING.

ALL DIMENSIONS ARE IN INCHES

TOLERANCES: X, XXX: +/- 0.005"
 X, XX: +/- 0.03"
 X, X: +/- 0.1"

D020087-01-R

WALLS #1, TABLE COVER
 40M LAB LIGO PROJECT
 L JONES 6/19/02