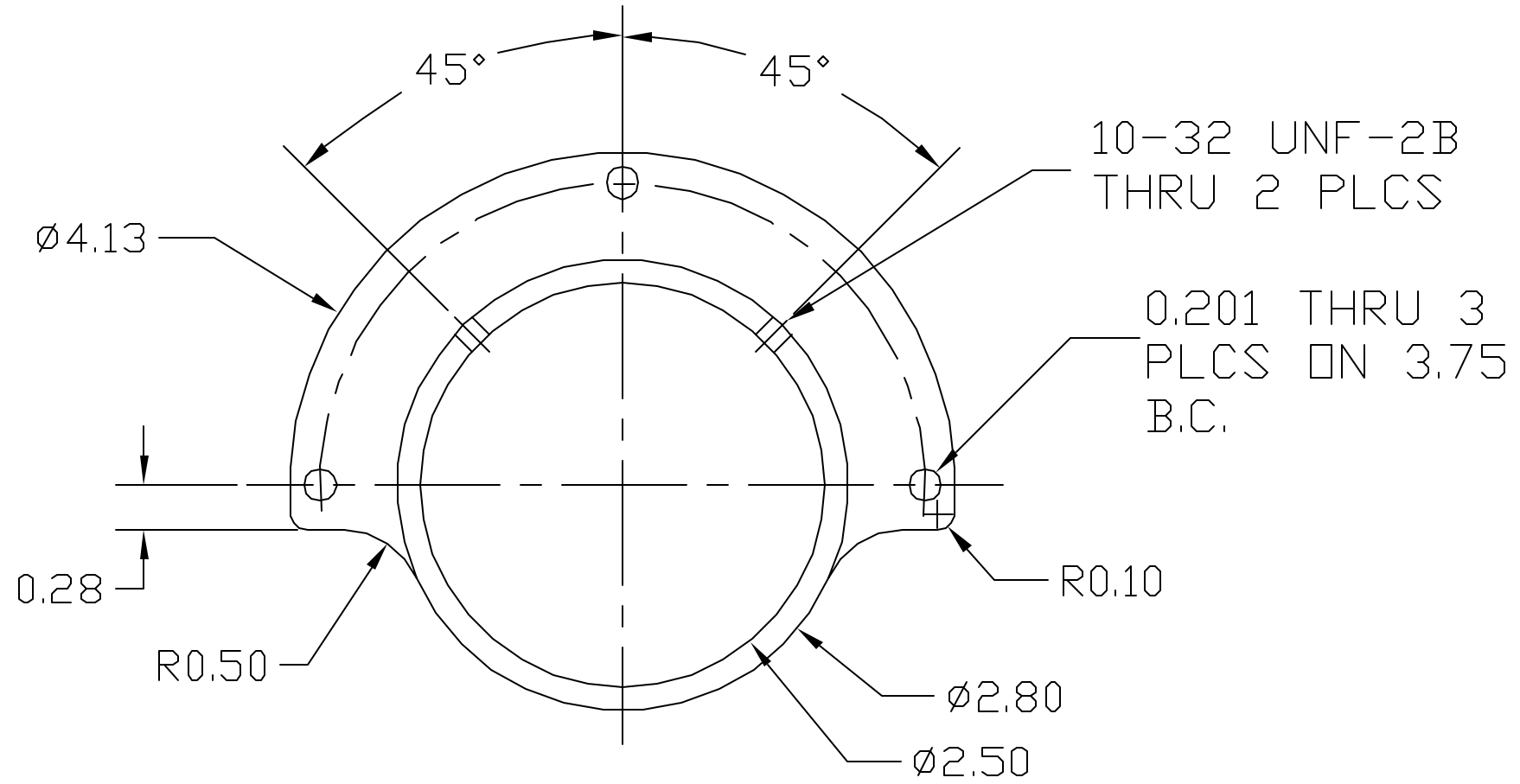
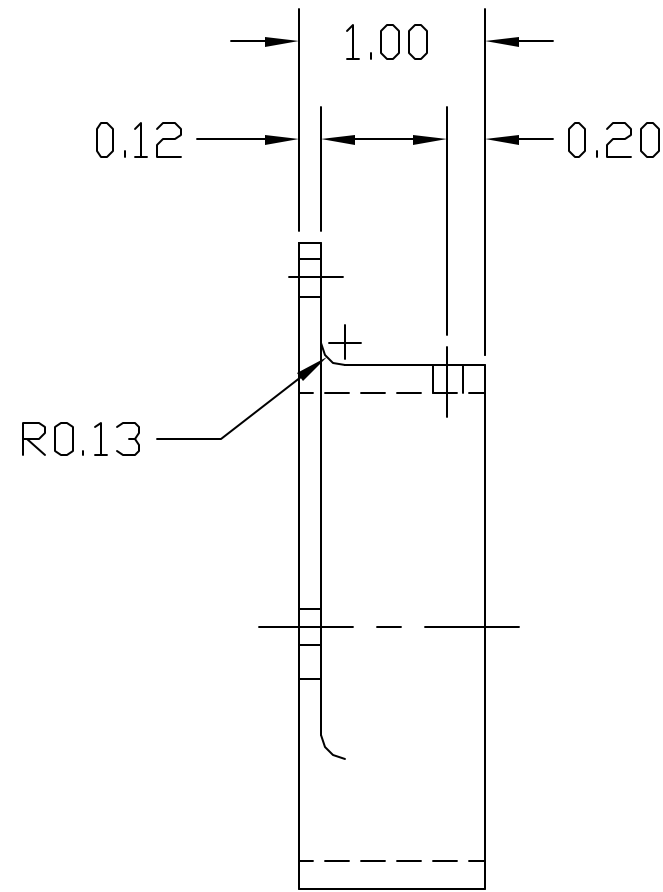


NOTES: (UNLESS OTHERWISE SPECIFIED)

- 1. X
- X
- 2. X
- X



UNLESS OTHERWISE SPECIFIED DIMENSIONS ARE IN INCHES		
TOLERANCES: FRACTIONAL ± 1/32 ANGULAR ± 1 DEG ANGULARMACH ± BEND ± TWO PLACE DECIMAL ± 0.01	THREE PLACE DECIMAL ± 0.005 FINISHED SURFACE RMS: 63 BREAK CORNERS AND EDGES REMOVE ALL BURRS	
MATERIAL: ALUM 6061 T6	HEAT TREAT:	FINISH: BLACK ANODIZE
USED ON: XXX	NEXT ASSY: XXX	

REF	QTY	PART or DRWG No.	DESCRIPTION	MATERIAL
PARTS and MATERIAL LIST				
CALIFORNIA INSTITUTE OF TECHNOLOGY MASSACHUSETTS INSTITUTE OF TECHNOLOGY				
MTG COLLAR INLINE ILLUMINATOR 40 M				
01			REMOVED LOWER PORTION OF FLANGE	JONES 12/16/02
00			PRE-RELEASE	SMITH 3/25/02
REV		DESCRIPTION	DCN NUMBER	APPR'D CHECK DRWN DATE
CAD FILE		SIZE	DRWG NO.	
\\ILLUMINATOR_ASSY		B	D020099-01	
SCALE		NTS	SHEET	1 OF 1