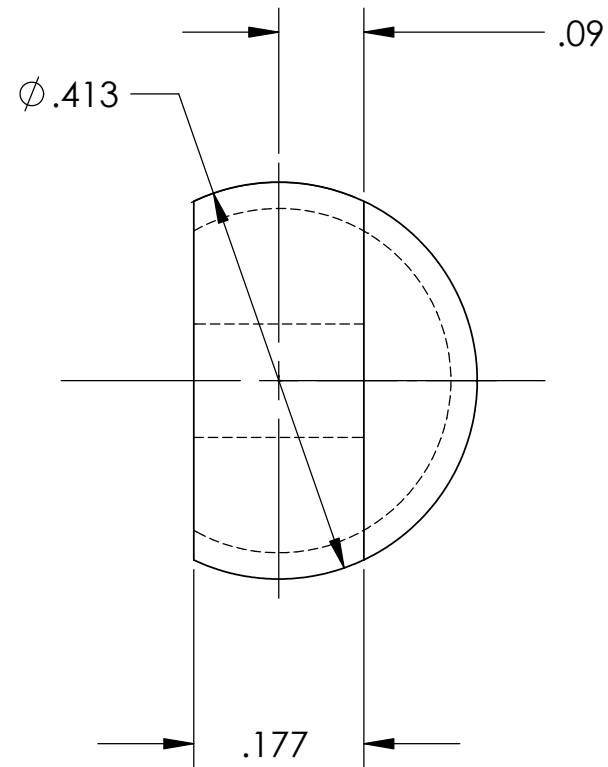
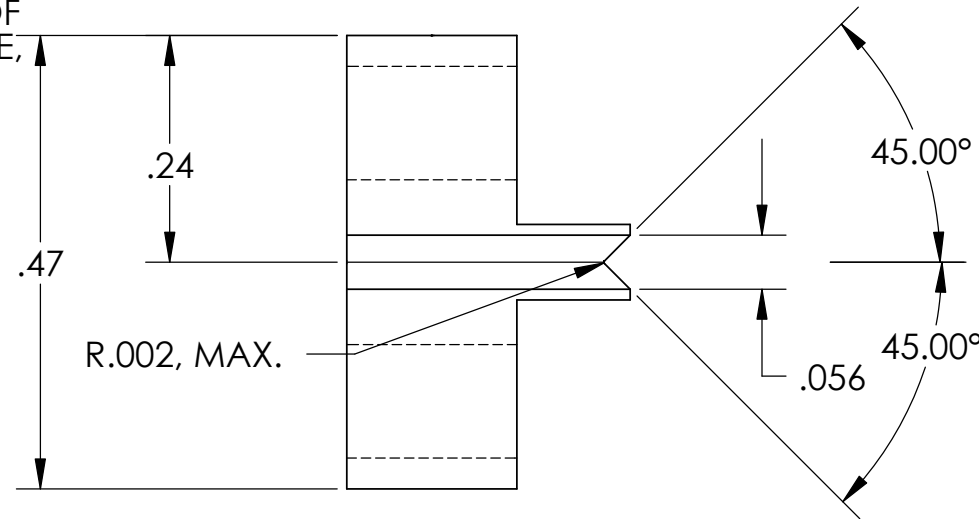
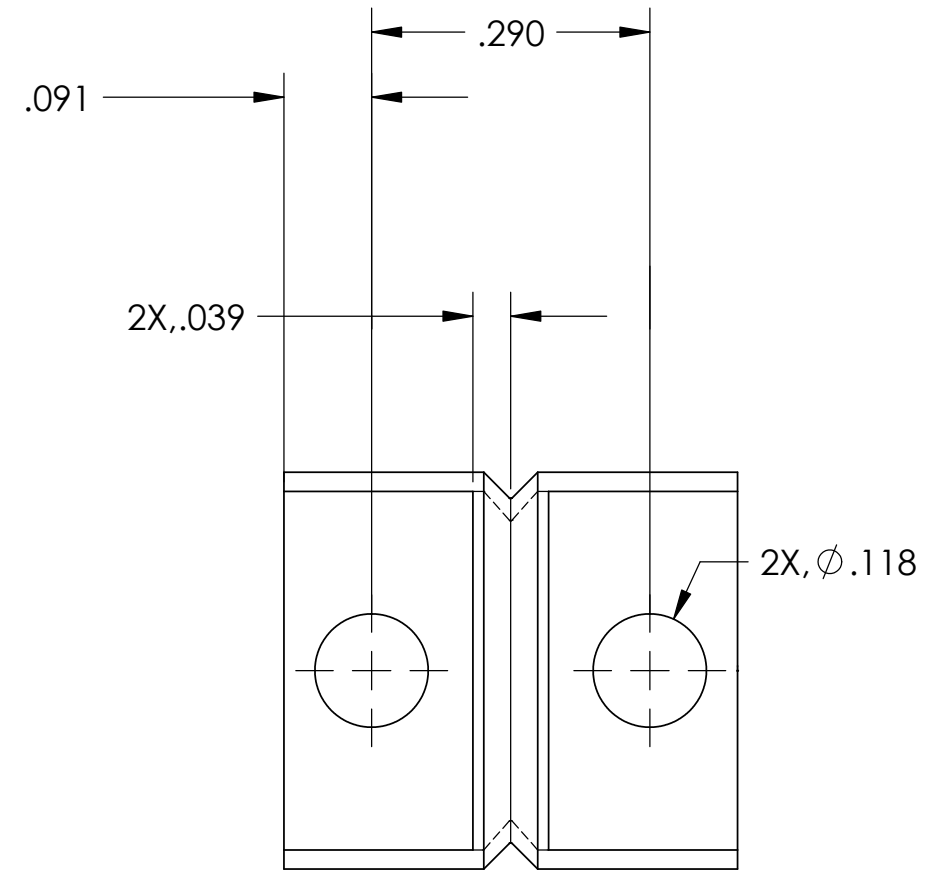


NOTES: (UNLESS OTHERWISE SPECIFIED)
 1. BREAK ALL SHARP EDGES.
 2. ALL MACHINING FLUIDS SHALL BE WATER SOLUABLE AND FREE OF SULFUR, CHLORINE AND SILICONE, SUCH AS CINCINNATI MILACHRON'S CIMTECH 410 (STAINLESS STEEL.)



D020148_MCWireStandOff.step

REV.	DATE	DCN #	DRAWING TREE #
A	24 JUNE 2004	E040303-00	



ITEM NO.	REQ.	SPARE	TOT.	PART NUMBER	DESCRIPTION	SUPPLIER	
UNLESS OTHERWISE SPECIFIED:							
DIMENSIONS ARE IN INCHES				DATE	NAME	LIGO CALIFORNIA INSTITUTE OF TECHNOLOGY MASSACHUSETTS INSTITUTE OF TECHNOLOGY SYSTEM ADVANCED LIGO SUB-SYSTEM SUSPENSIONS NEXT ASSY MODE CLEANER SUSPENSION ASSEMBLY PART NAME WIRE STANDOFF, MODE CLEANER	
TOLERANCES:				DRAWN	4/02		J.ROMIE
.XX ±:0.01				CHECKED			
.XXX ±:0.005							
ANGULAR: ±0.5							
MATERIAL				COMMENTS:		SIZE	
303 STAINLESS						DWG. NO.	
FINISH						REV	
NONE						A	
SCALE: 5:1						SHEET 1 OF 1	