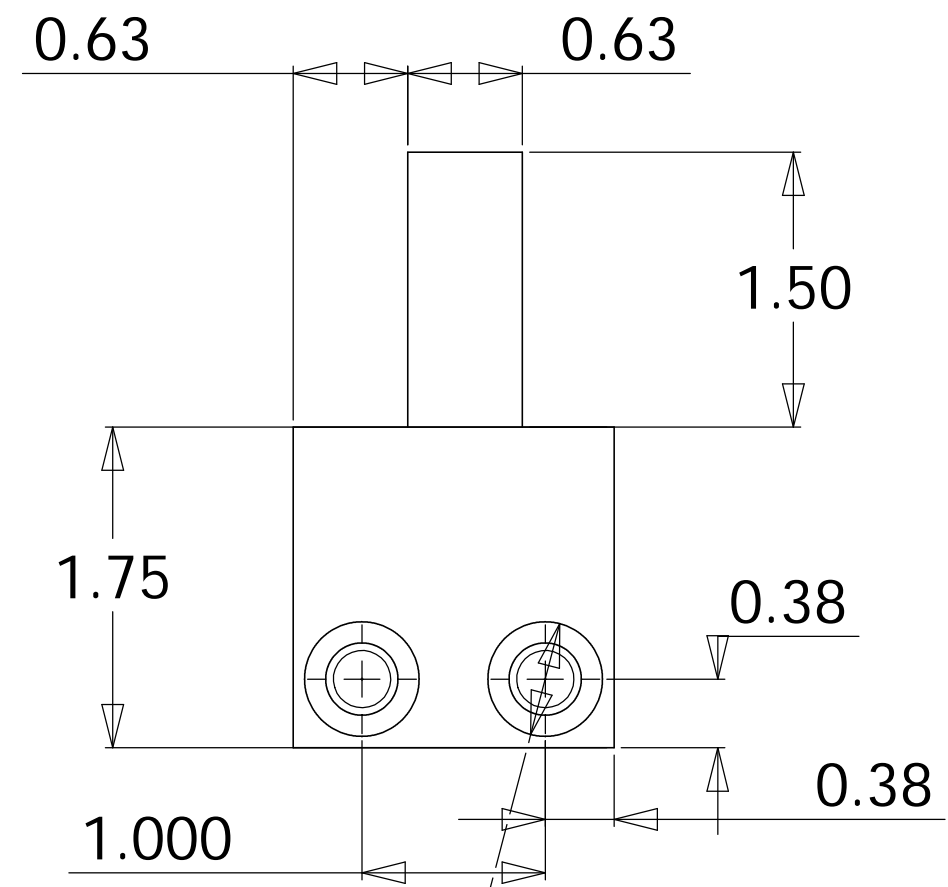


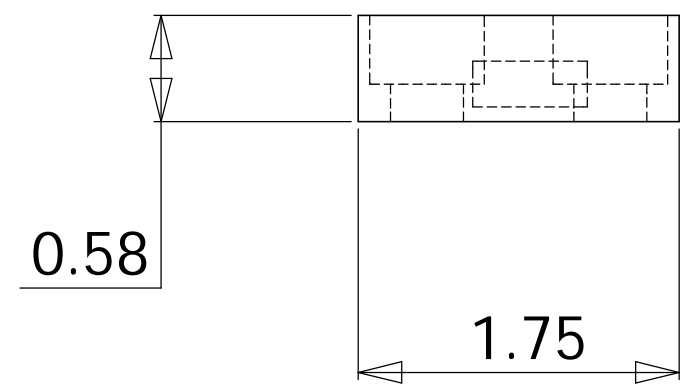
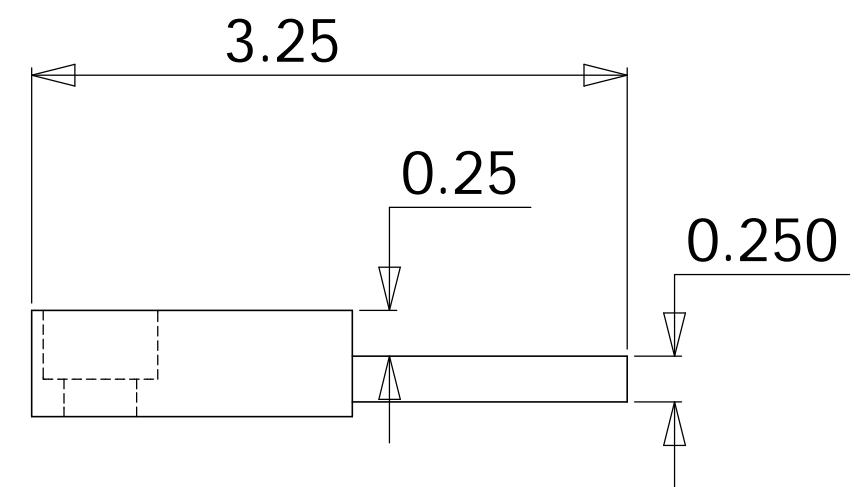
8 7 6 5 4 3 2 1

REV.	DATE	DCN #	DRAWING TREE #

NOTES: UNLESS OTHERWISE SPECIFIED
 1. REMOVE ALL BURRS AND BREAK SHARP EDGES TO A MAXIMUM OF .015
 2. PART NUMBER (DRAWING NO., DASH NO., REVISION NO., SERIAL NO.) TO BE CLEARLY MARKED ON THE PART ITSELF



(2X) 0.406 ϕ THRU .609 ϕ \square .38 ∇



D
C
B
A

D
C
B
A

ITEM NO.	REQ. QUANTITY	SPARE	TOT.	PART NUMBER	DESCRIPTION	SUPPLIER
PARTS LIST						
UNLESS OTHERWISE SPECIFIED: DIMENSIONS ARE IN INCHES TOLERANCES: .XX \pm : .02 .XXX \pm : .005 ANGULAR: \pm 1 DEG				DRAWN KMASON	DATE 5/20/02	NAME LIGO CALIFORNIA INSTITUTE OF TECHNOLOGY MASSACHUSETTS INSTITUTE OF TECHNOLOGY
MATERIAL 6061-T6 AL				COMMENTS:		SYSTEM SUB-SYSTEM NEXT ASSY EM ACTUATOR ASSEMBLY
FINISH NONE				SIZE B		DWG. NO. D020255-A-D
				SCALE: 1:1		REV A
				D020255-A.SLDPR		SHEET 1 OF 1

8 7 6 5 4 3 2 1