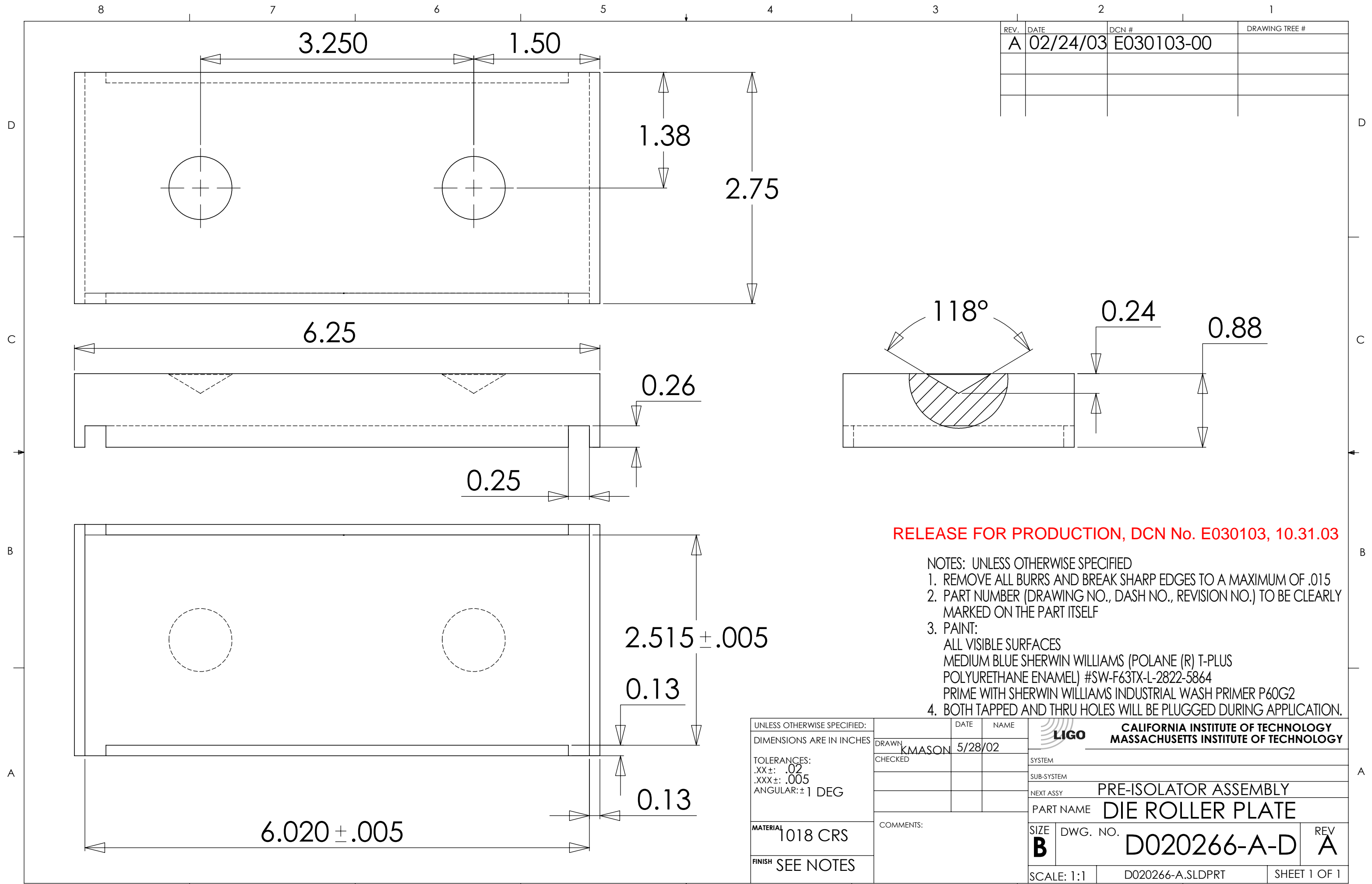



REV.	DATE	DCN #	DRAWING TREE #
A	02/24/03	E030103-00	



RELEASE FOR PRODUCTION, DCN No. E030103, 10.31.03

- NOTES: UNLESS OTHERWISE SPECIFIED
- REMOVE ALL BURRS AND BREAK SHARP EDGES TO A MAXIMUM OF .015
 - PART NUMBER (DRAWING NO., DASH NO., REVISION NO.) TO BE CLEARLY MARKED ON THE PART ITSELF
 - PAINT:
 ALL VISIBLE SURFACES
 MEDIUM BLUE SHERWIN WILLIAMS (POLANE (R) T-PLUS
 POLYURETHANE ENAMEL) #SW-F63TX-L-2822-5864
 PRIME WITH SHERWIN WILLIAMS INDUSTRIAL WASH PRIMER P60G2
 - BOTH TAPPED AND THRU HOLES WILL BE PLUGGED DURING APPLICATION.

UNLESS OTHERWISE SPECIFIED: DIMENSIONS ARE IN INCHES		DATE	NAME	 CALIFORNIA INSTITUTE OF TECHNOLOGY MASSACHUSETTS INSTITUTE OF TECHNOLOGY
TOLERANCES: .XX ±: .02 .XXX ±: .005 ANGULAR: ± 1 DEG		5/28/02	KMASON	
MATERIAL	1018 CRS	COMMENTS:		SYSTEM
FINISH	SEE NOTES			SUB-SYSTEM
				NEXT ASSY
				PART NAME
				PRE-ISOLATOR ASSEMBLY
				PART NAME
				DIE ROLLER PLATE
SIZE	DWG. NO.	REV		
B	D020266-A-D	A		
SCALE: 1:1	D020266-A.SLDPRT	SHEET 1 OF 1		