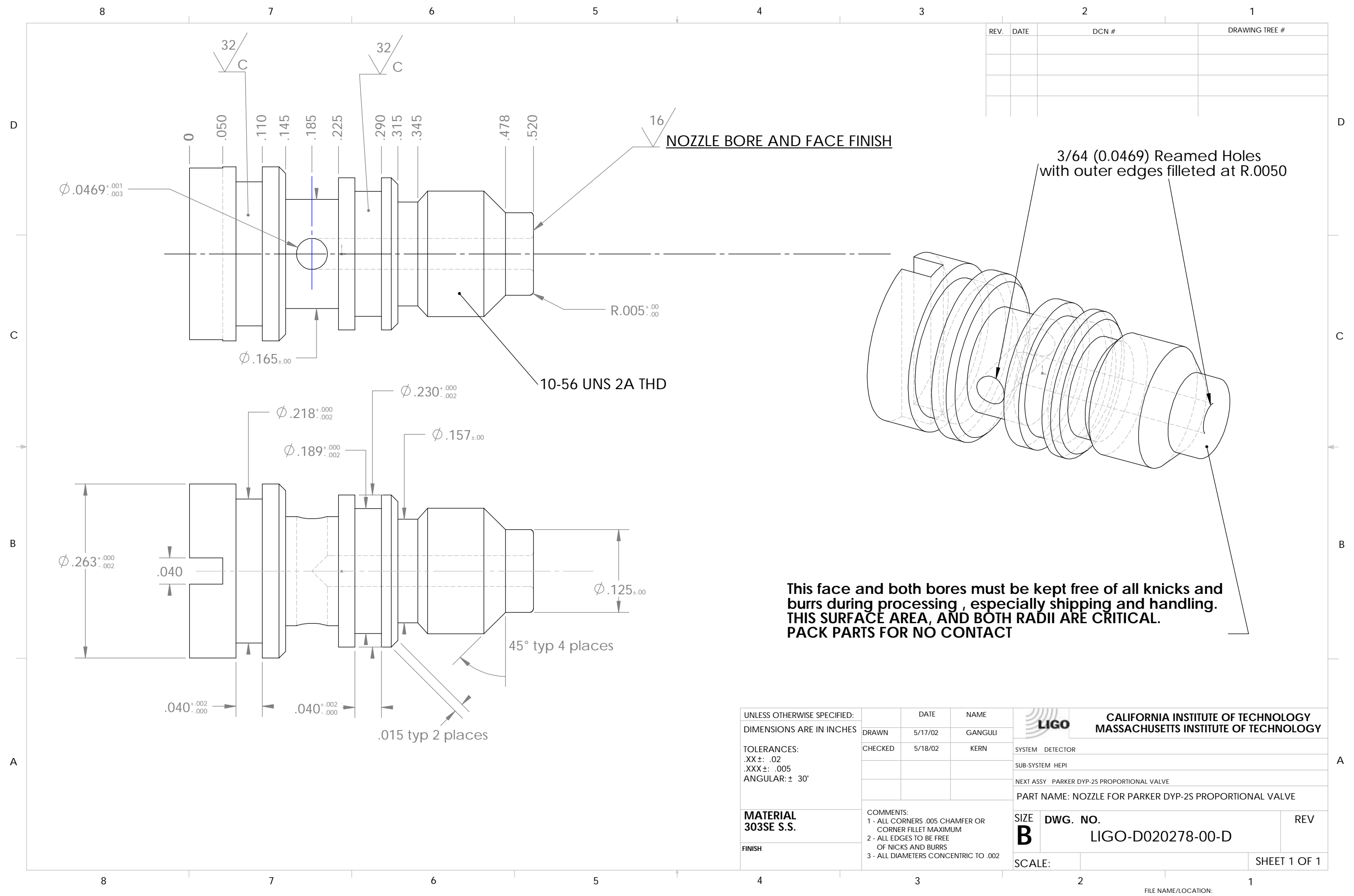


REV.	DATE	DCN #	DRAWING TREE #



$\phi .0469^{+.001}_{-.003}$   
 32° C  
 .050  
 .110  
 .145  
 .185  
 .225  
 .290  
 .315  
 .345  
 .478  
 .520  
 16°  
**NOZZLE BORE AND FACE FINISH**  
 $R.005^{+.00}_{-.00}$   
 10-56 UNS 2A THD  
 $\phi .165_{\pm .00}$

$\phi .263^{+.000}_{-.002}$   
 .040  
 $\phi .218^{+.000}_{-.002}$   
 $\phi .189^{+.000}_{-.002}$   
 $\phi .230^{+.000}_{-.002}$   
 $\phi .157_{\pm .00}$   
 $\phi .125_{\pm .00}$   
 45° typ 4 places  
 $.040^{+.002}_{-.000}$   
 $.040^{+.002}_{-.000}$   
 .015 typ 2 places

3/64 (0.0469) Reamed Holes with outer edges filleted at R.0050

**This face and both bores must be kept free of all nicks and burrs during processing, especially shipping and handling. THIS SURFACE AREA, AND BOTH RADII ARE CRITICAL. PACK PARTS FOR NO CONTACT**

UNLESS OTHERWISE SPECIFIED: DIMENSIONS ARE IN INCHES	DRAWN	DATE	NAME	<b>CALIFORNIA INSTITUTE OF TECHNOLOGY MASSACHUSETTS INSTITUTE OF TECHNOLOGY</b>
	CHECKED	5/17/02	GANGULI	
TOLERANCES: .XX ± .02 .XXX ± .005 ANGULAR: ± 30'		5/18/02	KERN	SYSTEM DETECTOR
				SUB-SYSTEM HEPI
<b>MATERIAL</b> 303SE S.S.				NEXT ASSY PARKER DYP-2S PROPORTIONAL VALVE
				PART NAME: NOZZLE FOR PARKER DYP-2S PROPORTIONAL VALVE
FINISH				SIZE <b>B</b> DWG. NO. LIGO-D020278-00-D REV SCALE: SHEET 1 OF 1