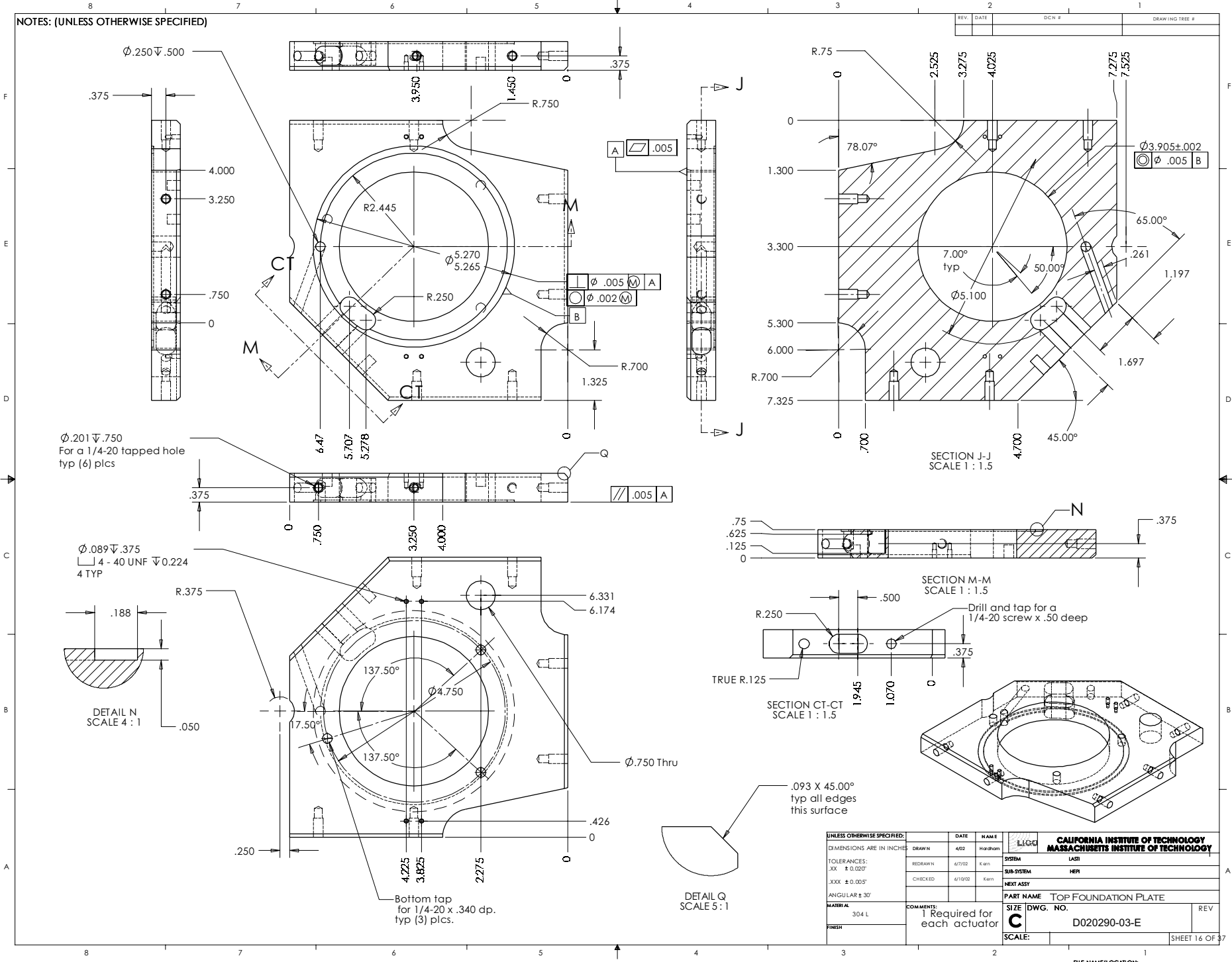


NOTES: (UNLESS OTHERWISE SPECIFIED)

REV	DATE	DCN #	DRAWING TREE #



$\phi .201 \nabla .750$
For a 1/4-20 tapped hole
typ (6) plcs

$\phi .089 \nabla .375$
4 - 40 UNF $\nabla 0.224$
4 TYP

DETAIL N
SCALE 4 : 1

Bottom tap
for 1/4-20 x .340 dp.
typ (3) plcs.

DETAIL Q
SCALE 5 : 1

SECTION J-J
SCALE 1 : 1.5

SECTION M-M
SCALE 1 : 1.5

SECTION CT-CT
SCALE 1 : 1.5

UNLESS OTHERWISE SPECIFIED:

DIMENSIONS ARE IN INCHES	DATE	NAME	LOGO
TOLERANCES: .XX ± 0.020"	DRAWN	4/02	Hardham
.XXX ± 0.005"	REDESIGNED	6/10/02	Kern
ANGULAR ± 30°	CHECKED	6/10/02	Kern
MATERIAL	304 L	COMMENTS:	Required for each actuator
FINISH		SCALE:	

CALIFORNIA INSTITUTE OF TECHNOLOGY MASSACHUSETTS INSTITUTE OF TECHNOLOGY	
SYSTEM	LASTI
SUB-SYSTEM	HERI
NEXT ASSEMBLY	
PART NAME	TOP FOUNDATION PLATE
SIZE	DWG. NO.
C	D020290-03-E
REV	
	SHEET 16 OF 37

RUE NAME/LOCATION: