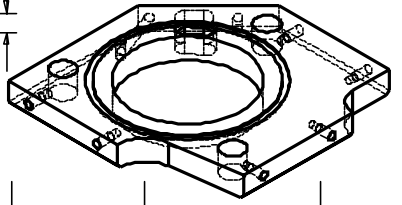
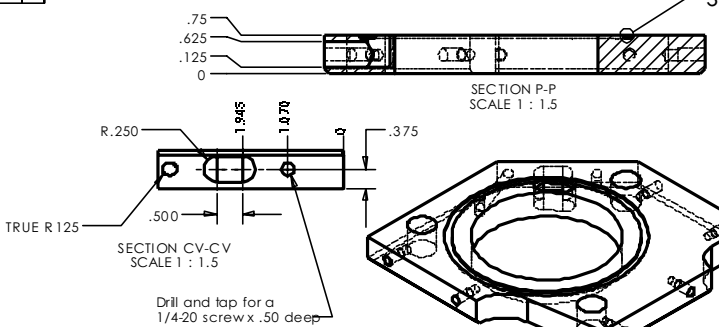
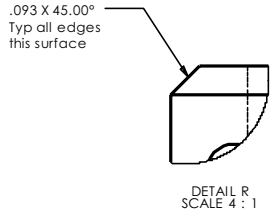
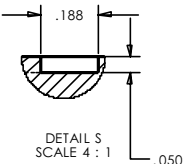
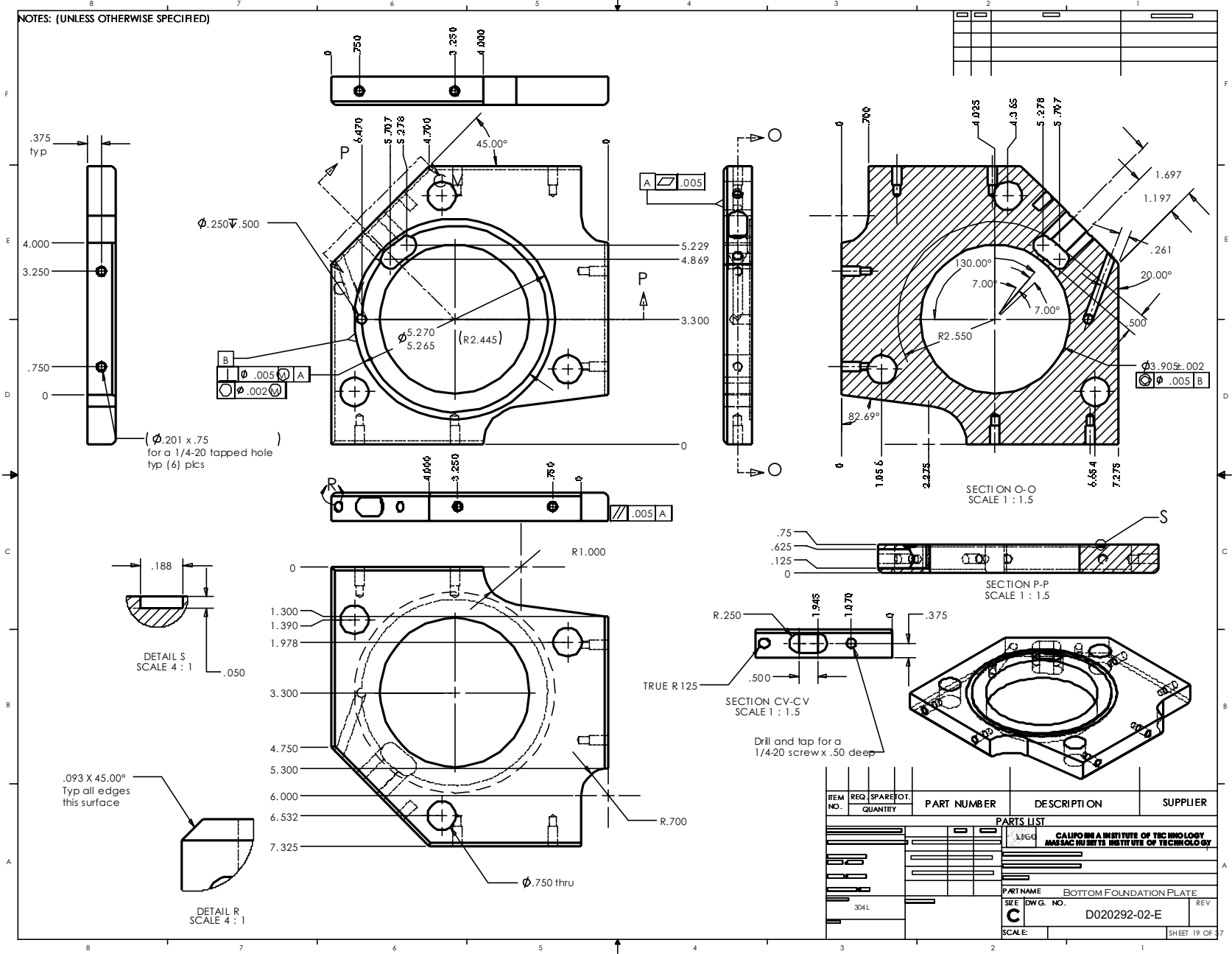


NOTES: (UNLESS OTHERWISE SPECIFIED)



ITEM NO.	REQ. QUANTITY	SPARE	EQT.	PART NUMBER	DESCRIPTION	SUPPLIER
PARTS LIST						
CALIFORNIA INSTITUTE OF TECHNOLOGY MASSACHUSETTS INSTITUTE OF TECHNOLOGY						
PART NAME					BOTTOM FOUNDATION PLATE	
SEE DWG. NO.					REV	
C					D020292-02-E	
SCALE					SHEET 19 OF 37	

1 Required for each actuator