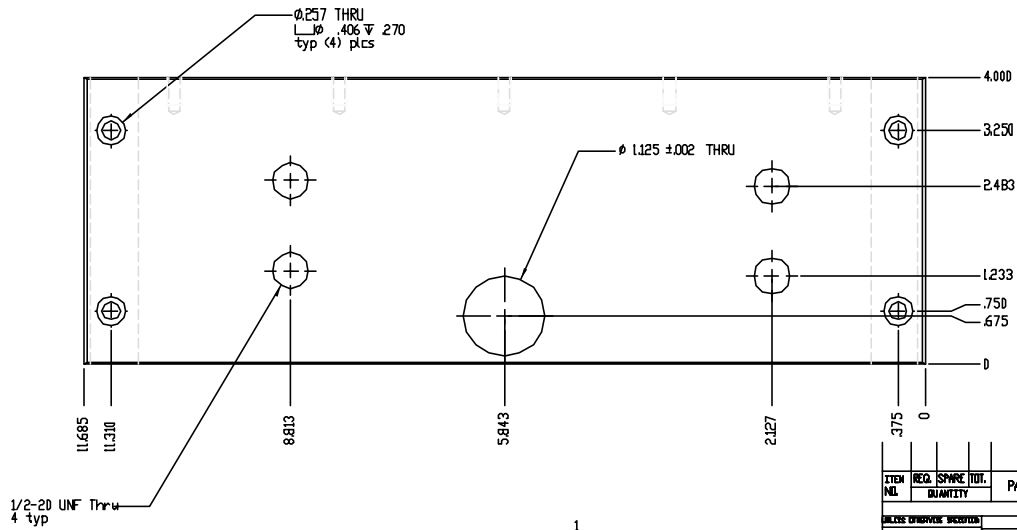
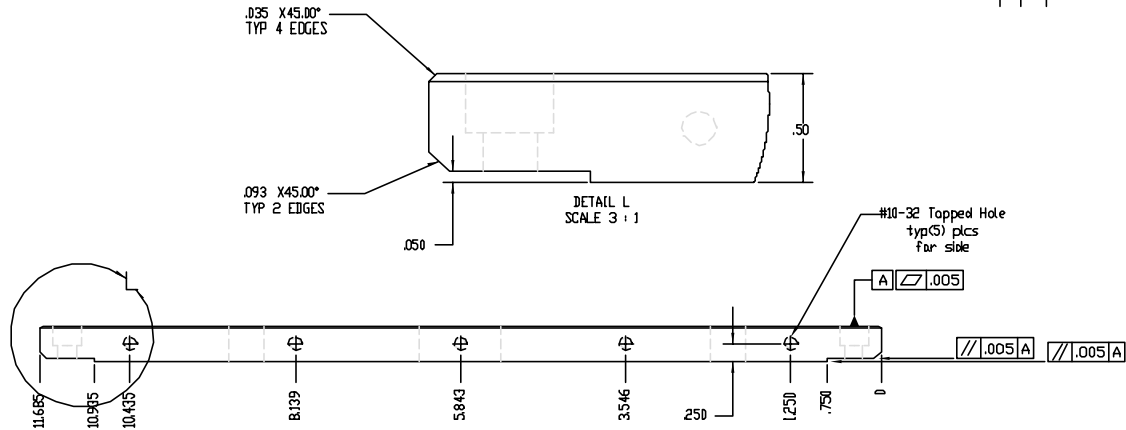


NOTES: (UNLESS OTHERWISE SPECIFIED)



1/2-20 UNF Thru
4 typ

ITEM NO.	REQ. QTY.	SPARE QTY.	PART NUMBER	DESCRIPTION	SUPPLIER
1					

PARTS LIST					
UNITS	DESCRIPTION	QTY	PRICE	TOTAL PRICE	REMARKS
1	Left Side Foundation Plate				

304 L	Required for each actuator	SIZE: DIMS: TOL: C	REV
		D020297-01-E	
		SCALE:	SHEET 02 OF 03

FILE IDENTIFICATION