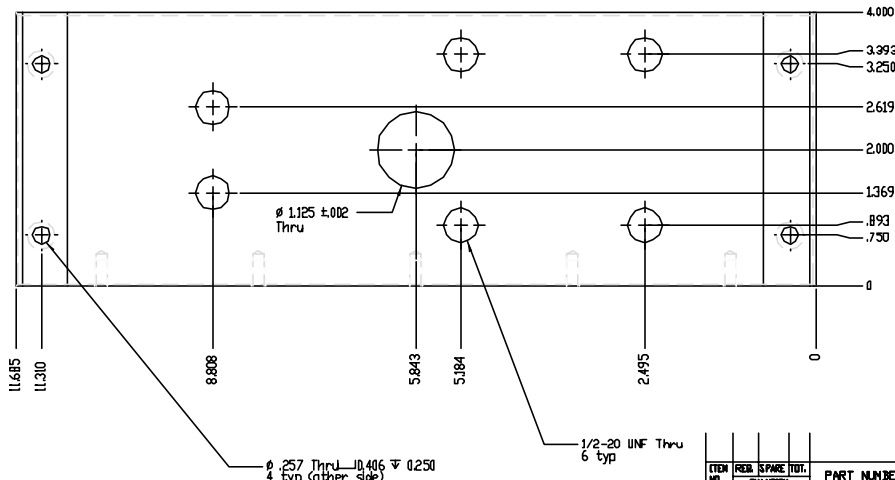
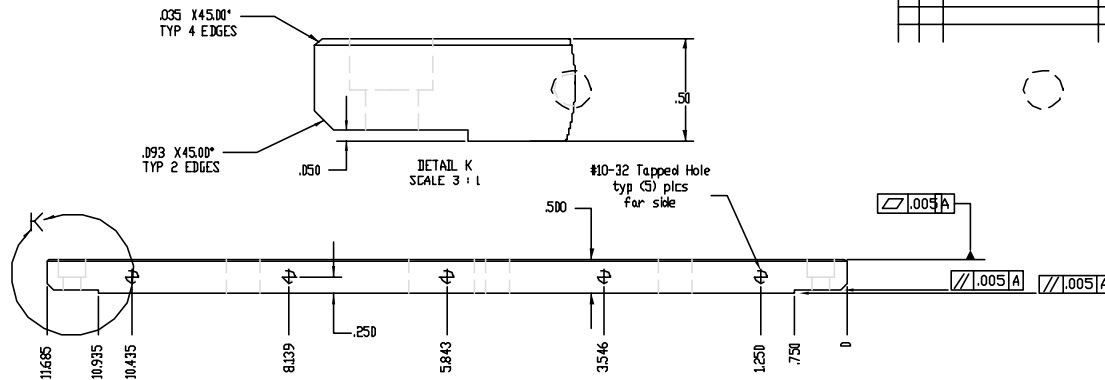


NOTES UNLESS OTHERWISE SPECIFIED



ITEM NO.	REQ. QTY.	SPARE QTY.	TOT. QTY.	PART NUMBER	DESCRIPTION	SUPPLIER
PARTS LIST						
CALIFORNIA INSTITUTE OF TECHNOLOGY						
MASSACHUSETTS INSTITUTE OF TECHNOLOGY						
DATE						
REV						
PART NAME Back Foundation Plate						
SIZE INCHES						
D020298-01-E						
SCALE						
SHEET 25 OF 28						

FILE NAME/LOCATION