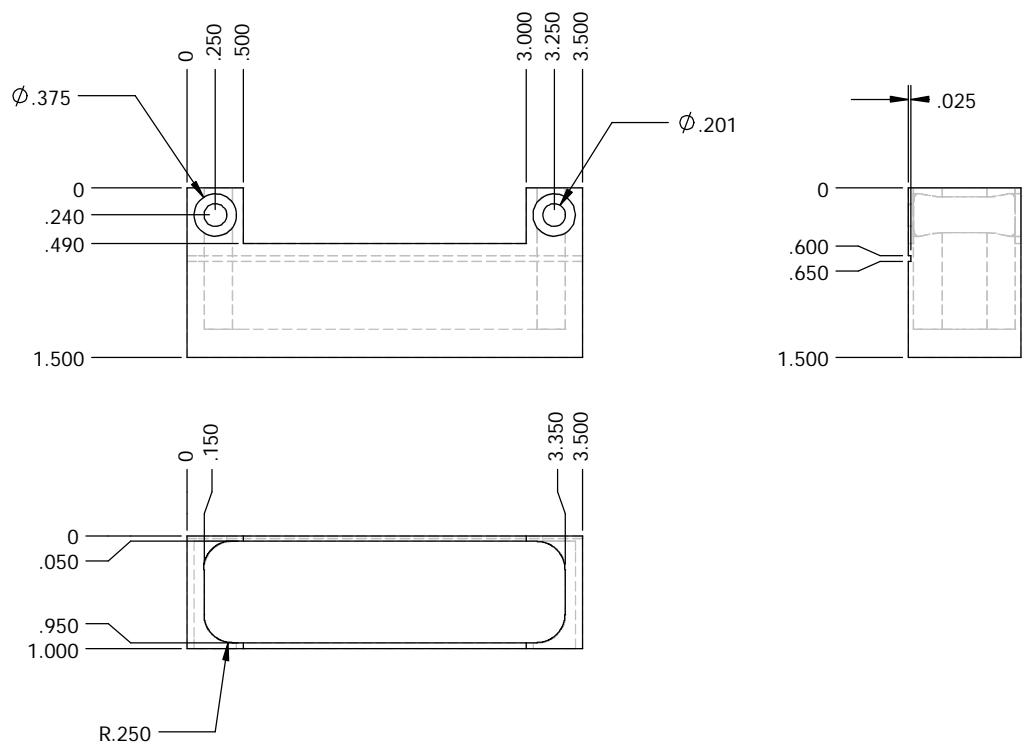
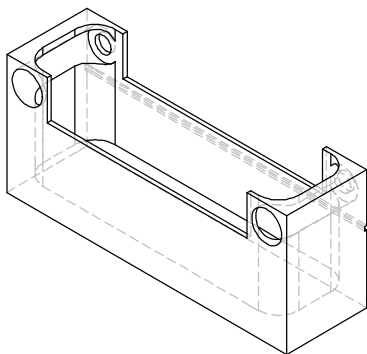


NOTES: (UNLESS OTHERWISE SPECIFIED)

REV.	DATE	DCN #	DRAWING TREE #



6 R0G: RUN ( GXFDMRQDOLFHQVH  
, QVAKFMRQD8 VH2 Q0

ITEM NO.	REQ. QUANTITY	SPARE QUANTITY	TOT. QUANTITY	PART NUMBER	DESCRIPTION	SUPPLIER
PARTS LIST						
UNLESS OTHERWISE SPECIFIED:				DATE	NAME	CALIFORNIA INSTITUTE OF TECHNOLOGY MASSACHUSETTS INSTITUTE OF TECHNOLOGY
DIMENSIONS ARE IN INCHES				DRAWN	4/02	Hardham
TOLERANCES:				REDRAWN	5/23/02	Kern
.XX ± 0.02"				CHECKED	5/27/02	Kern
.XXX ± 0.001"				SYSTEM LASTI		
ANGULAR ± 30'				SUB-SYSTEM HEPI		
MATERIAL				NEXT ASSY		
304 SS				PART NAME Oil Catch Horiz & Vert		
FINISH				COMMENTS:	SIZE DWG. NO. D020303-00-E	REV
SCALE:				C		
FILE NAME/LOCATION:				SHEET 28 OF 37		

