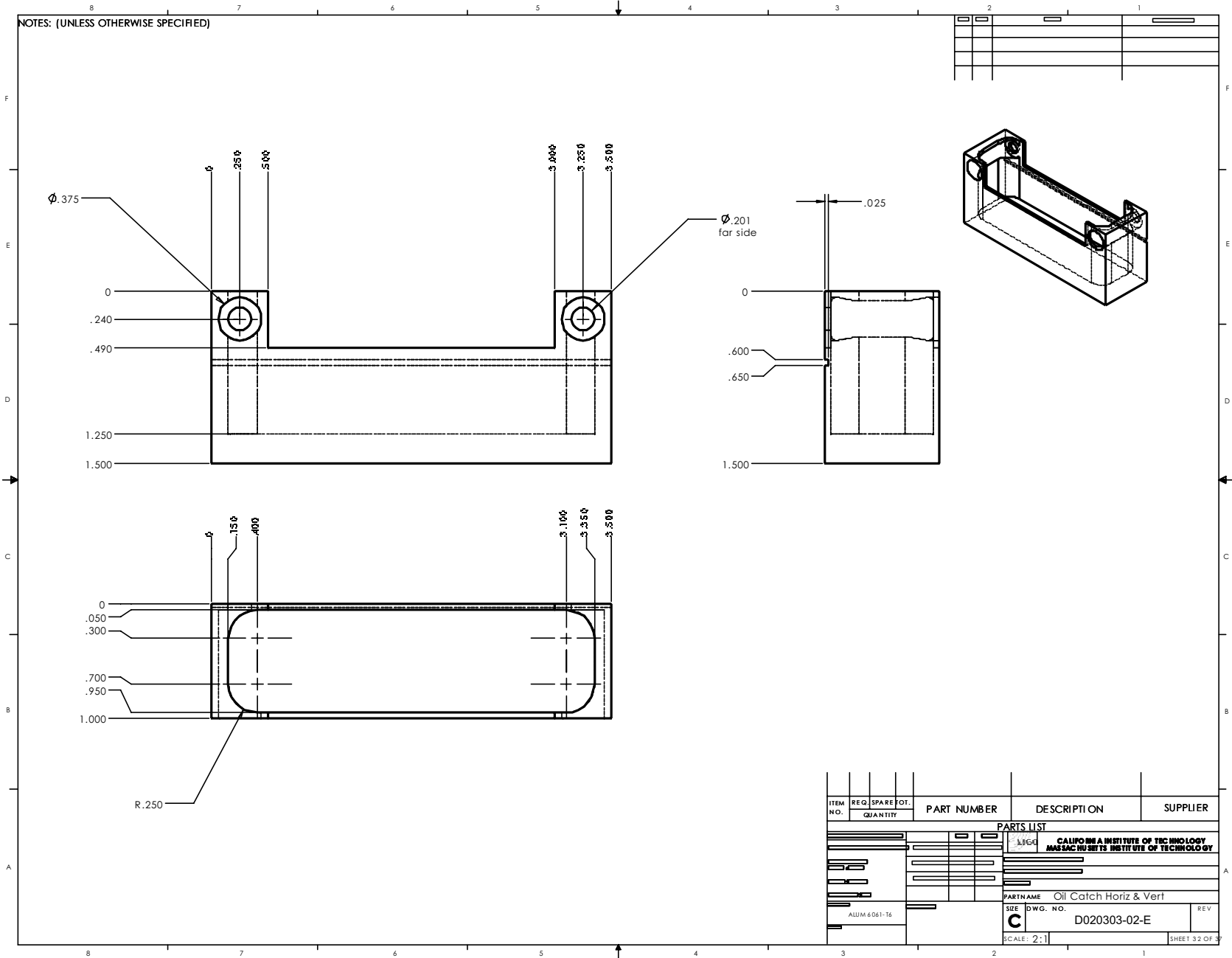


NOTES: (UNLESS OTHERWISE SPECIFIED)



ITEM NO.	REQ. QUANTITY	SPARE	POT.	PART NUMBER	DESCRIPTION	SUPPLIER
PARTS LIST						
CALIFORNIA INSTITUTE OF TECHNOLOGY MASSACHUSETTS INSTITUTE OF TECHNOLOGY						
PARTNAME					Oil Catch Horiz & Vert	
SITE					DWG. NO.	
C					D020303-02-E	
SCALE: 2:1					REV	
					SHEET 32 OF 37	