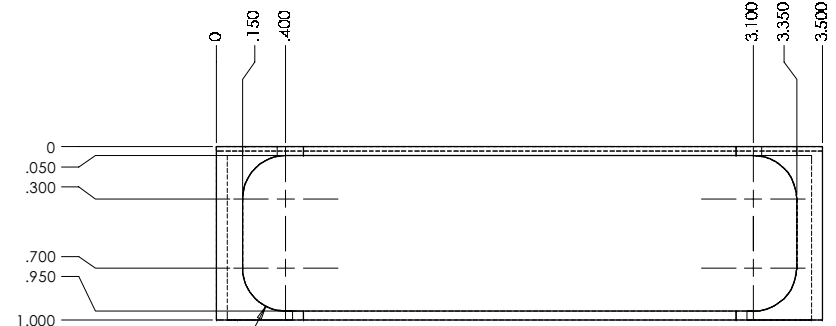
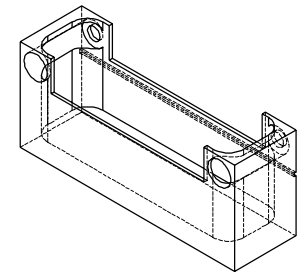
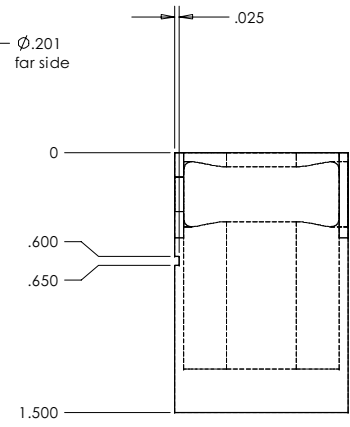
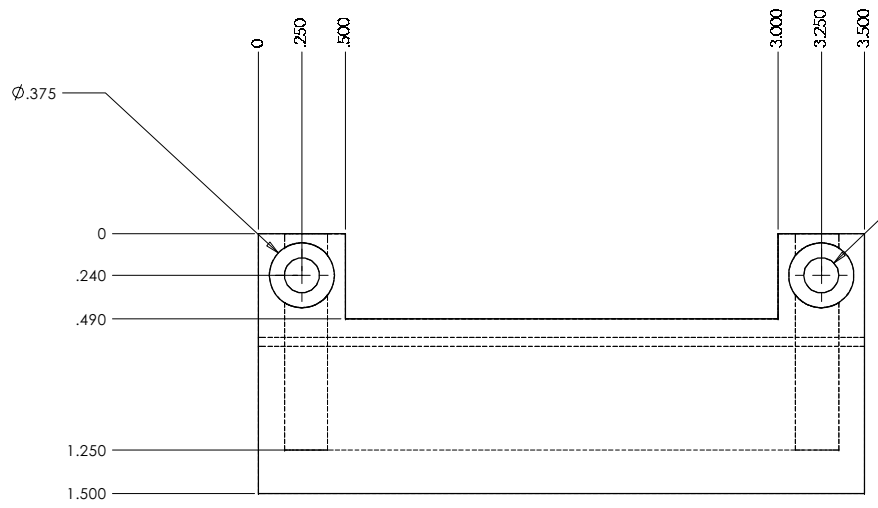


NOTES: (UNLESS OTHERWISE SPECIFIED)

REV.	DATE	DCN #	DRAWING TREE #



ITEM NO.	REQ. QUANTITY	SPARE QUANTITY	TOT. QUANTITY	PART NUMBER	DESCRIPTION	SUPPLIER
PARTS LIST						
UNLESS OTHERWISE SPECIFIED:		DATE	NAME	CALIFORNIA INSTITUTE OF TECHNOLOGY MASSACHUSETTS INSTITUTE OF TECHNOLOGY		
DIMENSIONS ARE IN INCHES		DRAWN	4/02	Hogdrom	SYSTEM LASTI	
TOLERANCES:		REDRAWN	5/23/02	K. em	SUB-SYSTEM HERI	
.XX ± 0.02"		CHECKED	9/27/02	Karr	NEXT ASSEMBLY	
.XXX ± 0.001"				PART NAME Oil Catch Horiz & Vert		
ANGULAR ± 30'				SIZE DWG. NO. C D020303-03-E		
MATERIAL ALUM 6061-T6		COMMENTS:		REV		
FINISH				SCALE: 2:1		
						SHEET 32 OF 37

FILE NAME/LOCATION: