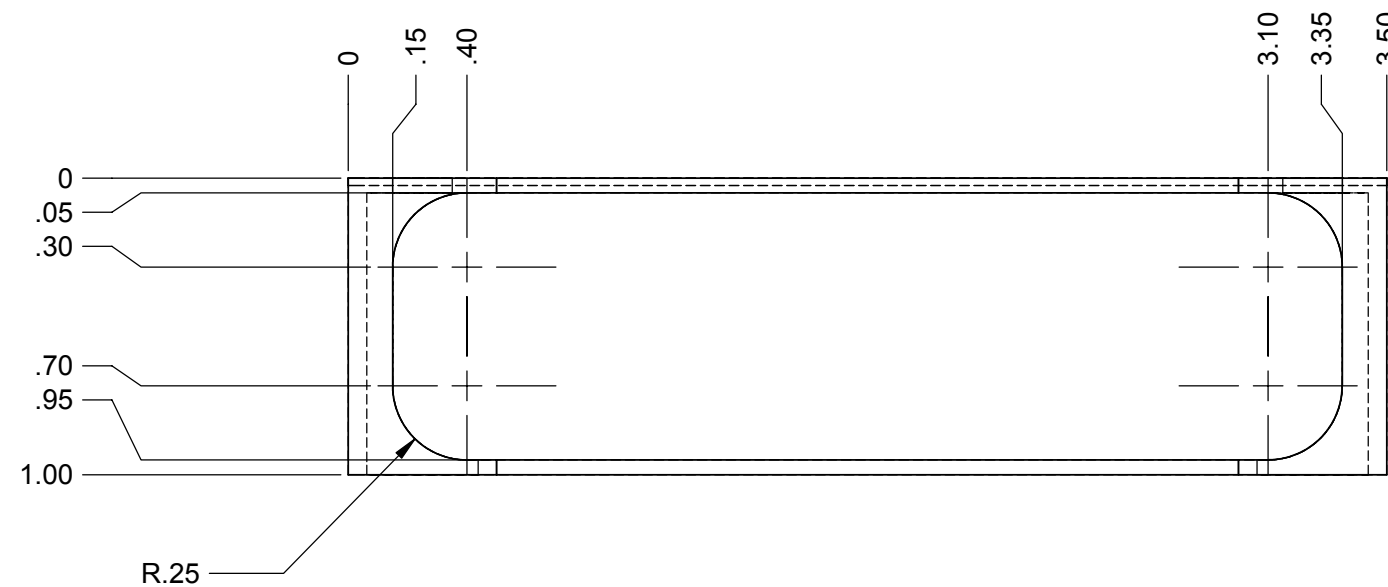
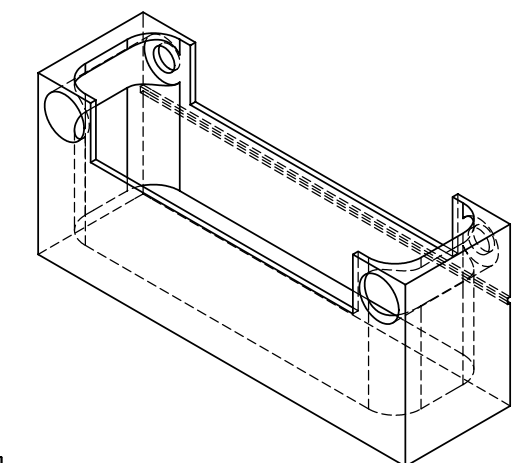
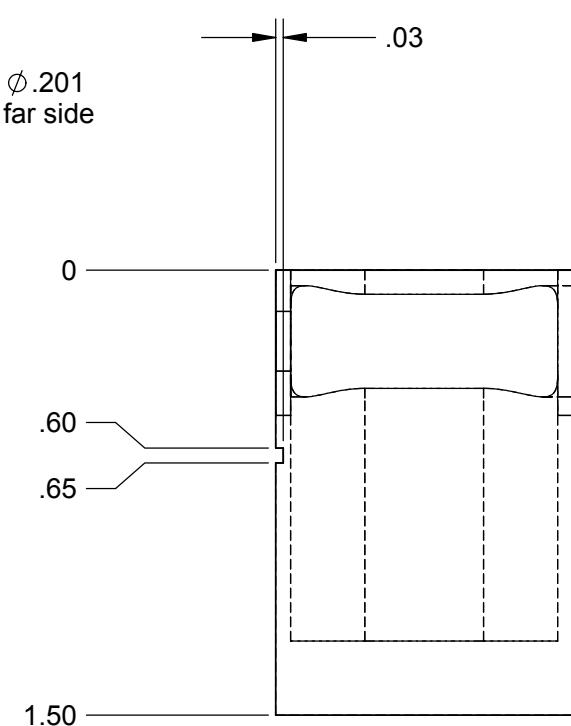
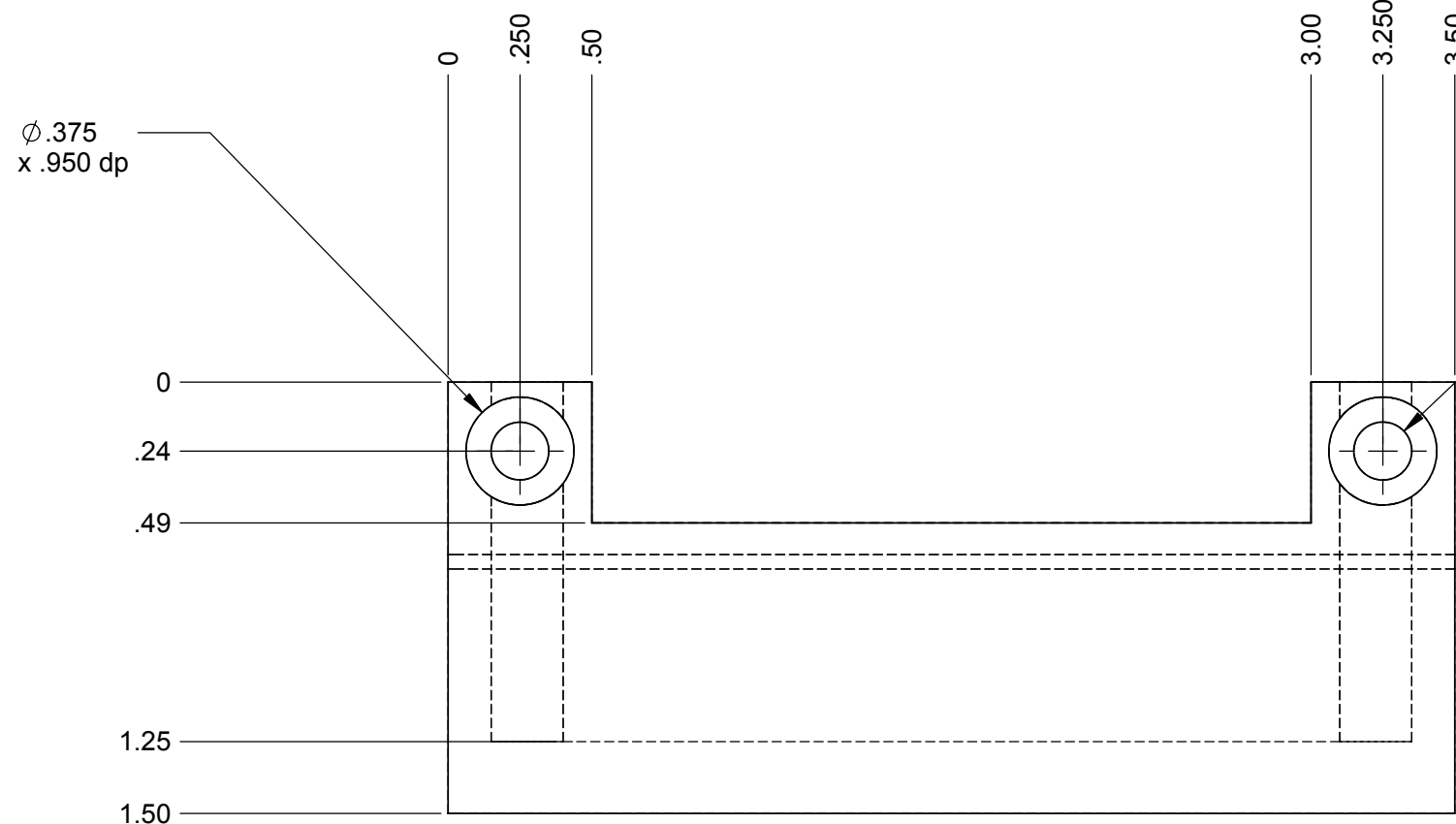


NOTES: (UNLESS OTHERWISE SPECIFIED)

REV.	DATE	DCN #	DRAWING TREE #
A	5/23/02		
B	6/11/03	E030373-00-E	



UNLESS OTHERWISE SPECIFIED:		DATE	NAME	LIGO CALIFORNIA INSTITUTE OF TECHNOLOGY MASSACHUSETTS INSTITUTE OF TECHNOLOGY	
DIMENSIONS ARE IN INCHES		DRAWN 4/02	Hardham	SYSTEM LASTI	
TOLERANCES: .XX ± 0.02"		REDRAWN 5/23/02	Kern	SUB-SYSTEM HEPI	
.XXX ± 0.005"		REDRAWN 6/11/03	Spjeld	NEXT ASSY	
ANGULAR ± 30°		CHECKED 2/9/03	Kern	PART NAME HEPI Oil Catch Horiz & Vert	
MATERIAL	ALUM 6061-T6 Anodized Clear	COMMENTS: 1 Required for each actuator		SIZE DWG. NO.	REV B
FINISH	120 RMS unless noted	SCALE: 2 : 1		Sht. No. 36 / 43	