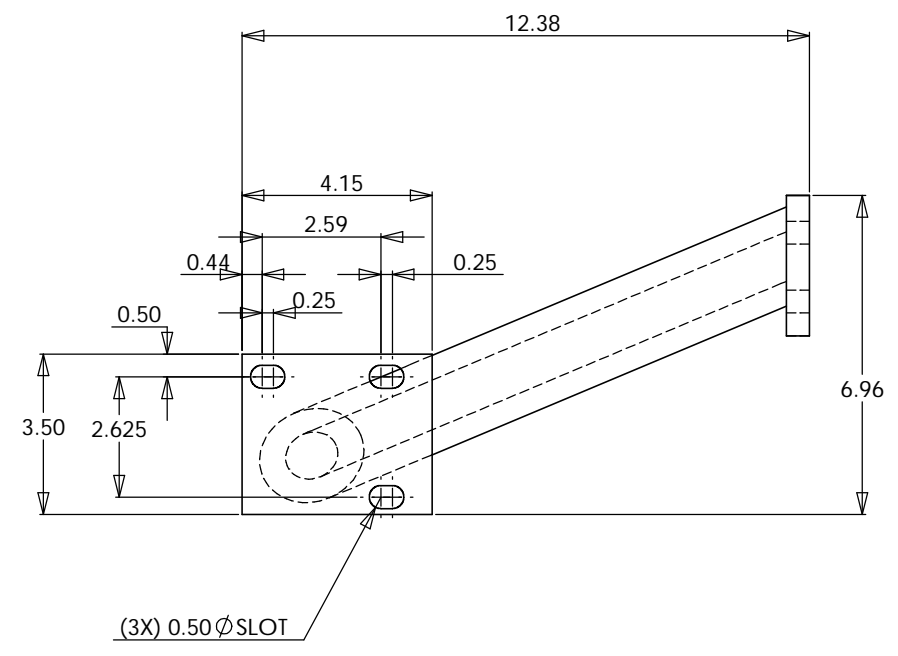
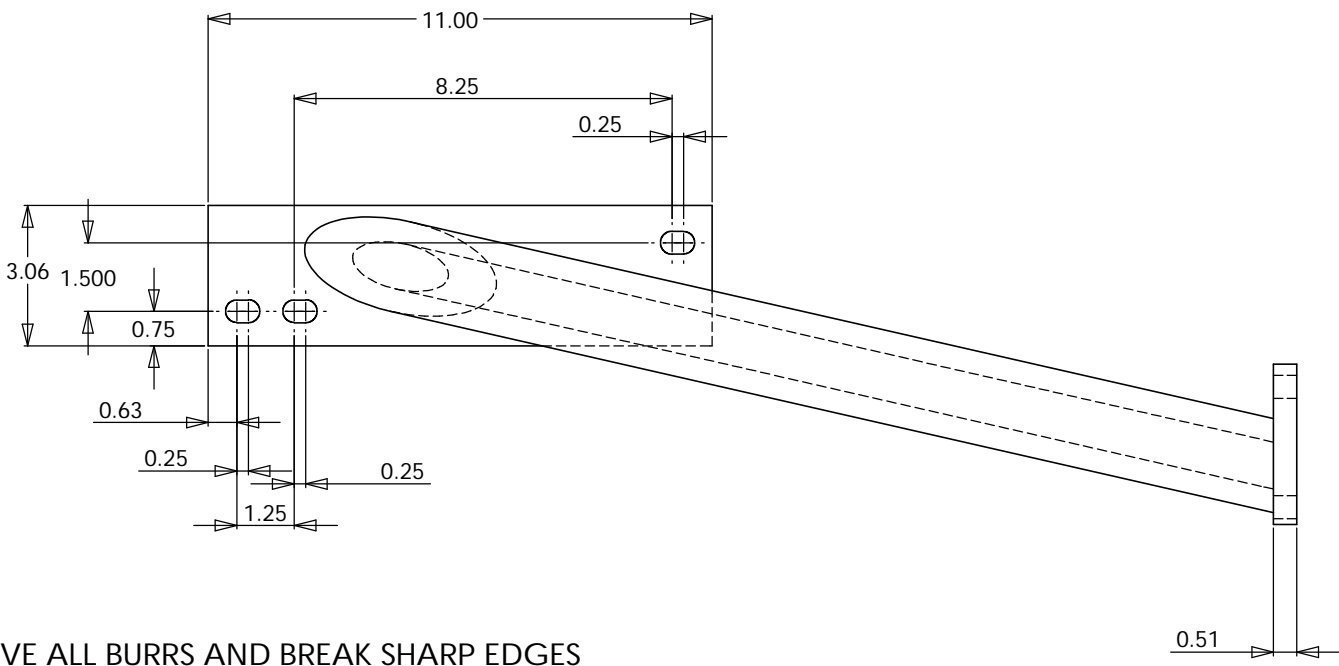
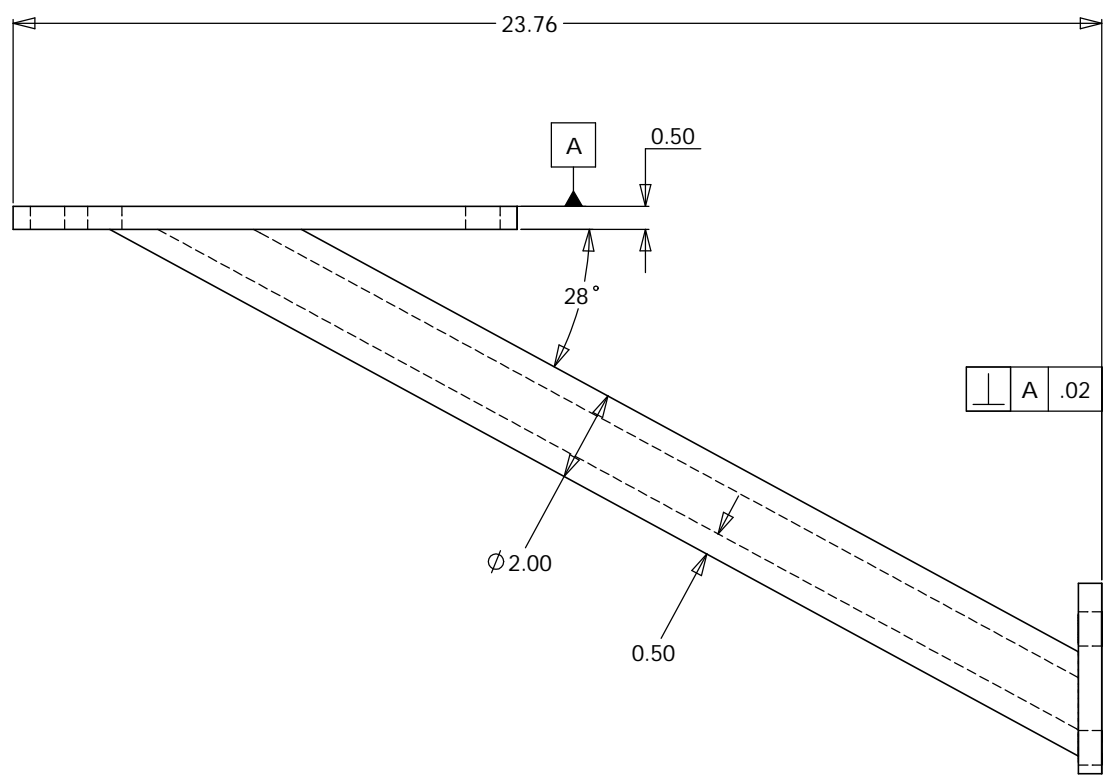


REV	DATE	DCN #	DRAWING TREE #

NOTES: (UNLESS OTHERWISE SPECIFIED)



- NOTES:
1. REMOVE ALL BURRS AND BREAK SHARP EDGES
 2. PART NUMBER (DRG NO., DASH NO., REVISION NO, SERIAL NO.) TO BE CLEARLY MARKED ON THE PART.
 3. PAINT MEDIUM BLUE, SHERWIN WILLIAMS POLANE T-PLUS POLYURETHANE ENAMEL #SW-F63TX-L-2822-5864.
 4. OXI-SOLV RUST INHIBITOR TO BE APPLIED TO BOTTOM SURFACE. DO NOT PAINT.
 5. PLUG TAPPED AND THRU HOLES DURING PAINT APPLICATION.
 6. FULL WELDED CONSTRUCTION
 7. STRESS RELIEVE BEFORE FINISH MACHINING
 8. REMOVE ALL SHARP EDGES

ITEM NO.	REQ.	SPARE	TOT. QUANTITY	PART NUMBER	DESCRIPTION	SUPPLIER
PARTS LIST						
UNLESS OTHERWISE SPECIFIED: DRAWN: KMASON 6/20/02 NAME: CALIFORNIA INSTITUTE OF TECHNOLOGY MASSACHUSETTS INSTITUTE OF TECHNOLOGY						
DIMENSIONS ARE IN INCHES						
TOLERANCES: XX ± .02						
XXX ± .005						
ANGULAR *1 DEG						
MATERIAL: STEEL						
FRESH: SEE NOTES						
NEXT ASSY: PRE-ISOLATOR ASSEMBLY						
PART NAME: HOUSING STIFFENER, LEFT, ACTUATOR						
SCALE: D020331-A.SLDDRW						
DWG. NO. D020331-A-D						REV A
FILE NAME/LOCATION: D020331-A.SLDDRW						SHEET 1 OF 1