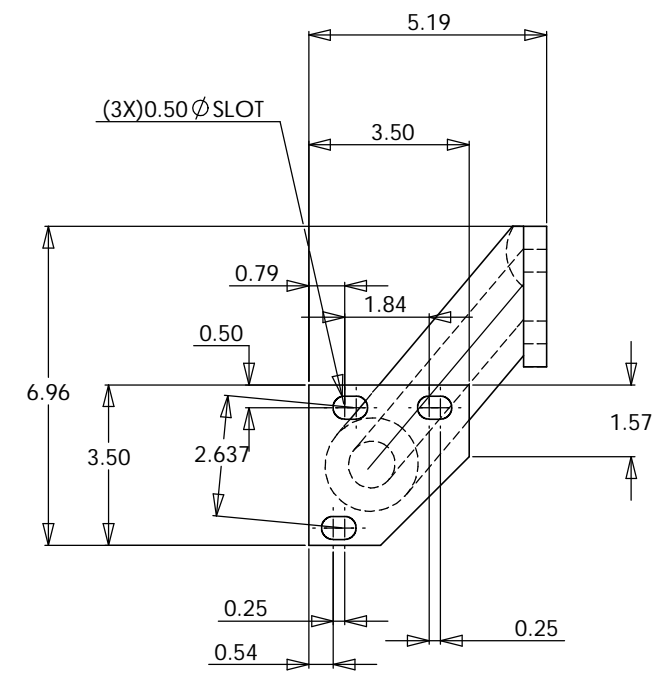
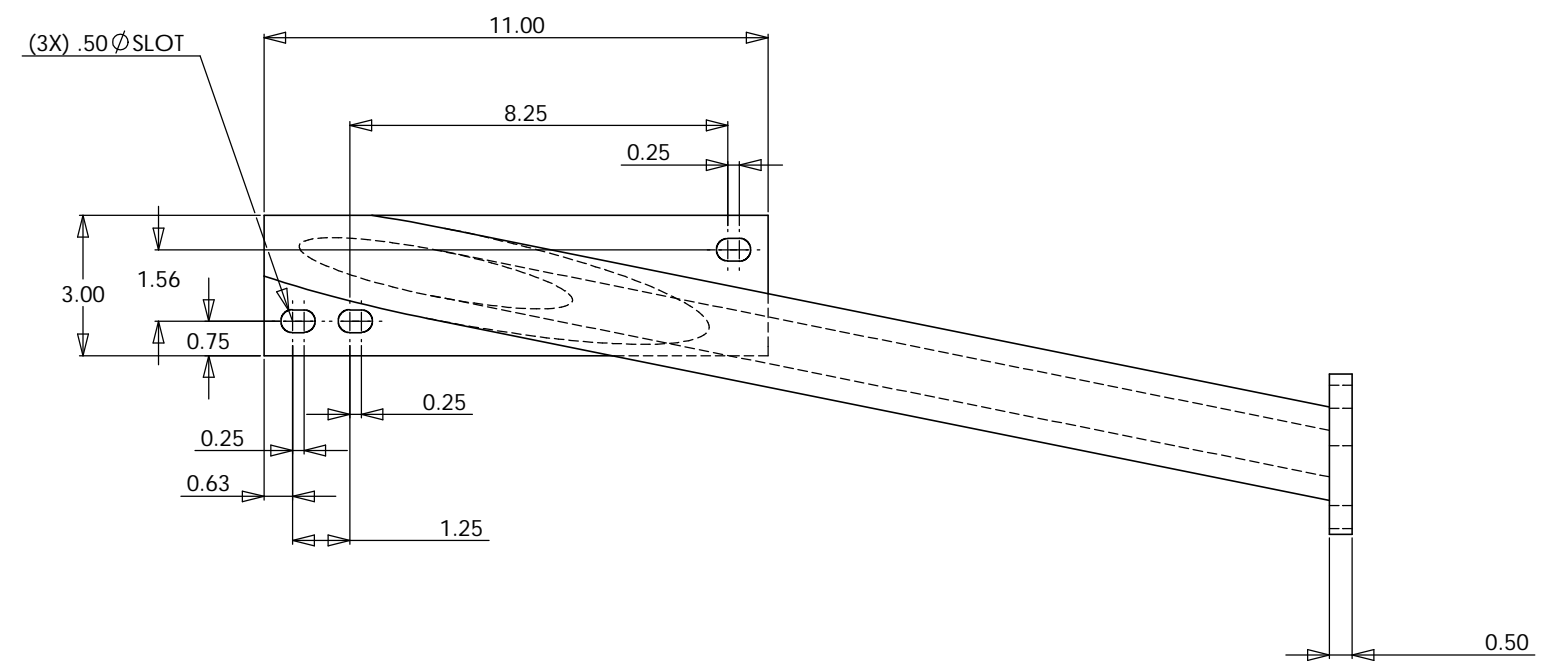
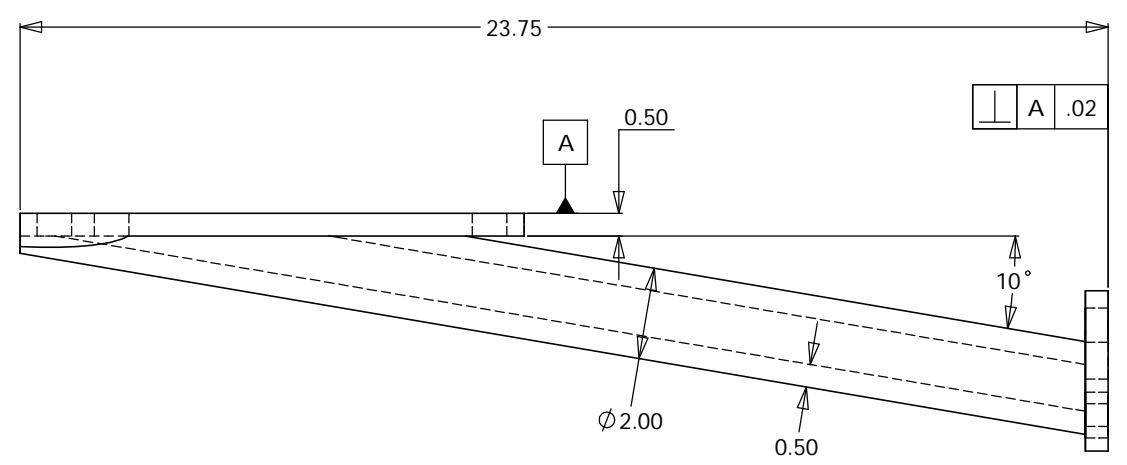


REV	DATE	DCN #	DRAWING TREE #

NOTES: (UNLESS OTHERWISE SPECIFIED)



- NOTES:
1. REMOVE ALL BURRS AND BREAK SHARP EDGES
  2. PART NUMBER (DRG NO., DASH NO., REVISION NO, SERIAL NO.) TO BE CLEARLY MARKED ON THE PART.
  3. PAINT MEDIUM BLUE, SHERWIN WILLIAMS POLANE T-PLUS POLYURETHANE ENAMEL #SW-F63TX-L-2822-5864.
  4. OXI-SOLV RUST INHIBITOR TO BE APPLIED TO BOTTOM SURFACE. DO NOT PAINT.
  5. PLUG TAPPED AND THRU HOLES DURING PAINT APPLICATION.
  6. FULL WELDED CONSTRUCTION
  7. STRESS RELIEVE BEFORE FINISH MACHINING
  8. REMOVE ALL SHARP EDGES

ITEM NO.	REQ. QUANTITY	SPARE	TOT. QUANTITY	PART NUMBER	DESCRIPTION	SUPPLIER
<b>PARTS LIST</b>						
UNLESS OTHERWISE SPECIFIED:				DATE	NAME	
DIMENSIONS ARE IN INCHES				DRAWN	CALIFORNIA INSTITUTE OF TECHNOLOGY	
TOLERANCES:				CHECKED	MASSACHUSETTS INSTITUTE OF TECHNOLOGY	
XX ± .02				6/20/02	SYSTEM	
XXX ± .005					SUB-SYSTEM	
ANGULAR ± 1 DEG					NEXT ASSY	
MATERIAL					PART NAME	
STEEL					PRE-ISOLATOR ASSEMBLY	
FRS					HOUSING STIFFENER, LEFT, BLANK	
SEE NOTES				SIZE	DWG. NO.	REV
				D	D020332-A-D	A
				SCALE:	D020332-A.SLDDRW	SHEET 1 OF 1