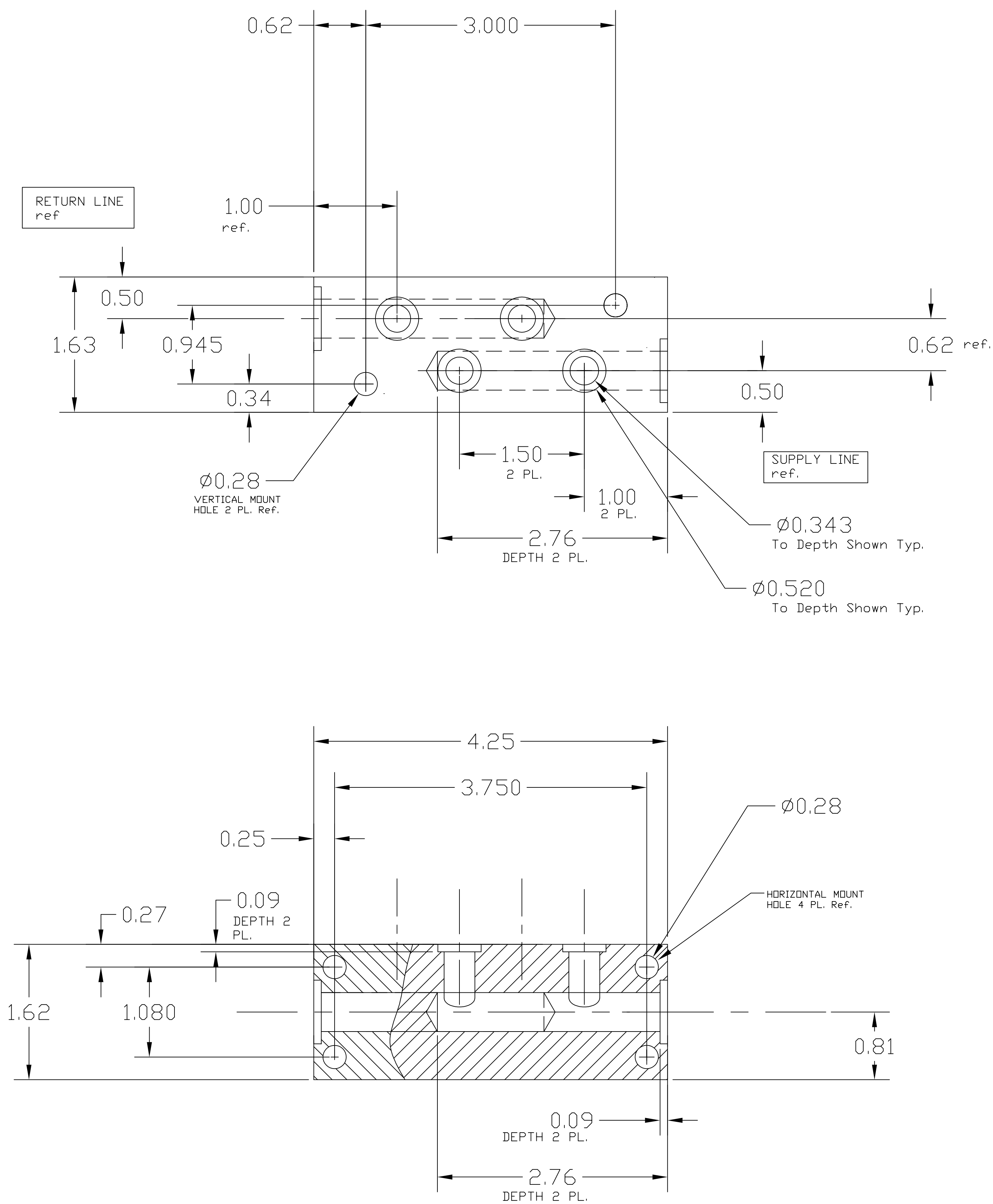


eng ref

.12  
.833333  
scale



NOTES: (UNLESS OTHERWISE SPECIFIED)

REF. STAINLESS STEEL TUBING & Ass'y  
.37" X .032 / .025 WALL (TO AND FROM ACTUATOR)  
.5" X .032 / .025 WALL (TO AND FROM PRIMARY MANIFOLD)  
ARC WELDED CONSTRUCTION

MAKE 4 TOTAL

# CHAMBER MANIFOLD [SECONDARY]

7-12-2002

REF	QTY	PART or DRWG No.	DESCRIPTION	MATERIAL
PARTS and MATERIAL LIST				
LIGO CALIFORNIA INSTITUTE OF TECHNOLOGY MASSACHUSETTS INSTITUTE OF TECHNOLOGY				
HYDRAULIC MANIFOLD CHAMBER, SECONDARY				
XXX	XXX			
DWG. NO.	DESCRIPTION	MATERIAL:	HEAT TREAT:	FINISH:
	REFERENCE DRAWINGS	303 Stainless Steel		
USED ON: XXX		NEXT ASSY: XXX		REV
		NEW-RELEASE		LIGO-E020690-00-R
		DCN NUMBER		APPR'D
		ISSUE DESCRIPTION		CHECK
				DRWN
				DATE
				SCALE
				1 : 1
				SHEET
				1 OF 1

UNLESS OTHERWISE SPECIFIED  
DIMENSIONS ARE IN INCHES

TOLERANCES:  
FRACTIONAL ± 1/16  
ANGULAR ± .25°  
ANGULAR MACH ± BEND ±  
TWO PLACE DECIMAL ± .01

THREE PLACE DECIMAL ± .005  
FINISHED SURFACE RMS 63  
BREAK CORNERS IN .015 OUT .015  
REMOVE ALL BURRS