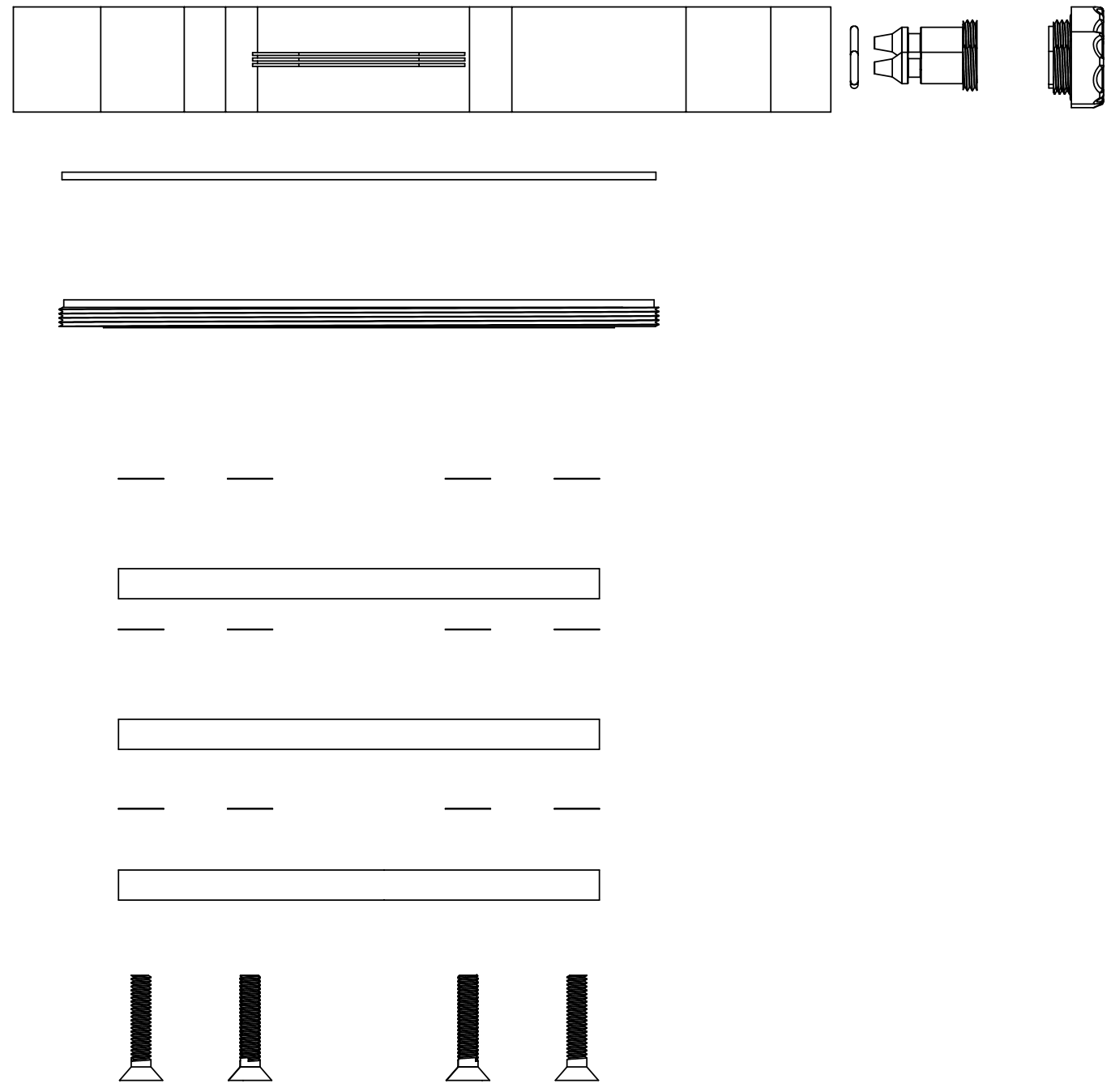
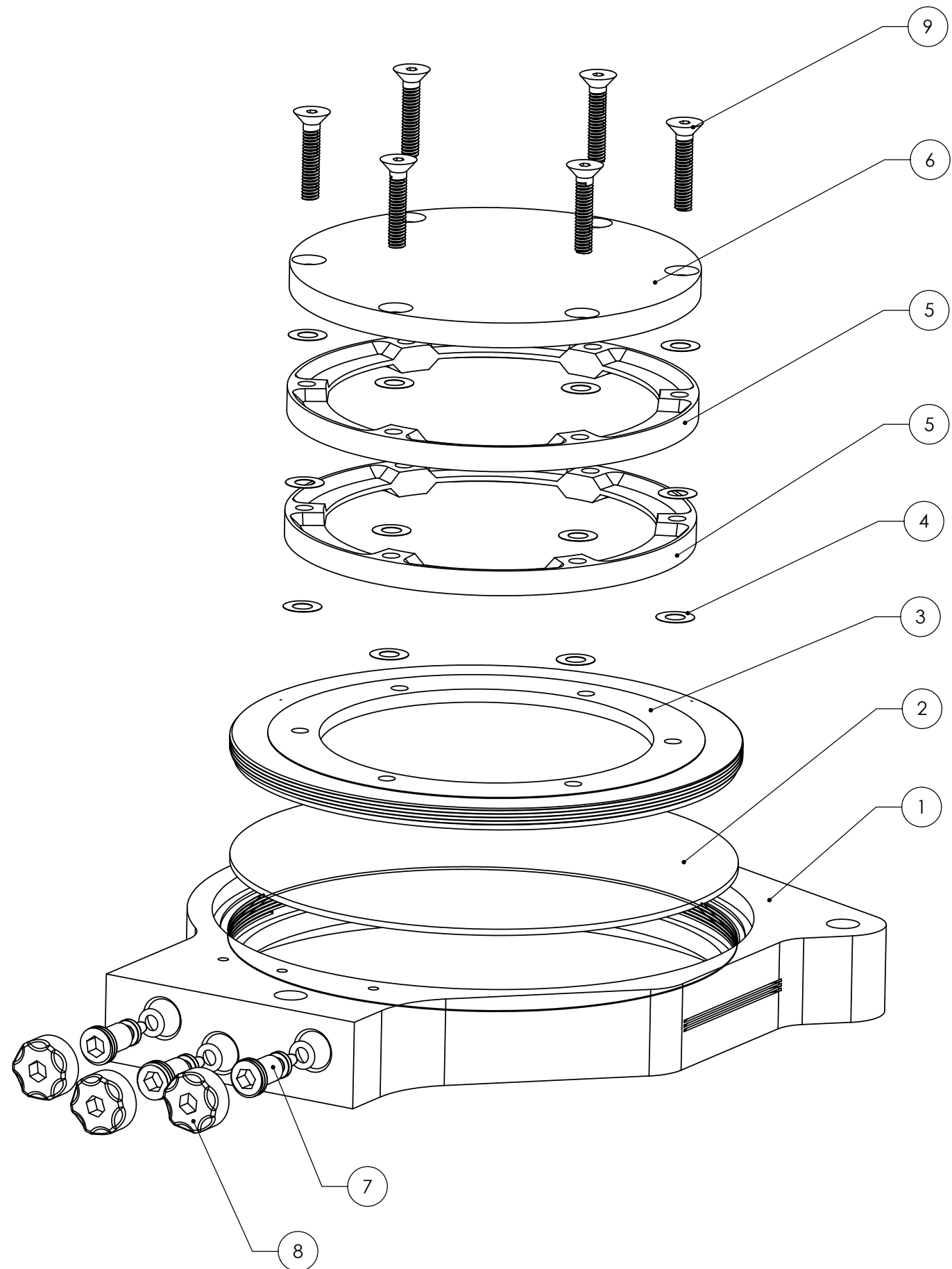


REV.	DATE	DCN #	DRAWING TREE #
A	Fall'02		
B	7/16/03	E030373-00-E	



ITEM NO.	QTY.	PART NO.	DESCRIPTION	MATERIAL / VENDOR	SHT. NO.
9	6	-	F.H.S.S. 8-32 x .625		-
8	3	D020359-B	SMALL ACTUATOR PLUG W/ O-RING		6
7	3	D020359-B	ACTUATOR SMALL PIN VALVE ASSEMBLY		
6	1	D020289-A	BYPASS RESISTOR CAP		11
5	2	D020288-A	BYPASS RESISTOR RING		10
4	18	-	BYPASS SPACER		-
3	1	D020286-B	DIAPHRAM RESTRAINT		9
2	1	D020286-B	DIAPHRAM		8
1	1	D020285-B	ACTUATION PLATE		4

ITEM NO.	QTY.	PART NO.	DESCRIPTION	MATERIAL / VENDOR	SHT. NO.
UNLESS OTHERWISE SPECIFIED:					
DRAWN		DATE	NAME	CALIFORNIA INSTITUTE OF TECHNOLOGY MASSACHUSETTS INSTITUTE OF TECHNOLOGY	
REDRAWN		DATE	NAME	SYSTEM LASTI	
REDRAWN		DATE	NAME	SUB-SYSTEM HEPI	
CHECKED		DATE	NAME	NEXT ASSY	
PART NAME HEPI Actuator Plate Exploded View				SIZE DWG. NO.	
COMMENTS: 1 Required for each actuator				SCALE: 1:1 unless noted	
FINISH 32 RMS unless noted				REV B	
				Sht. No. 3 / 43	