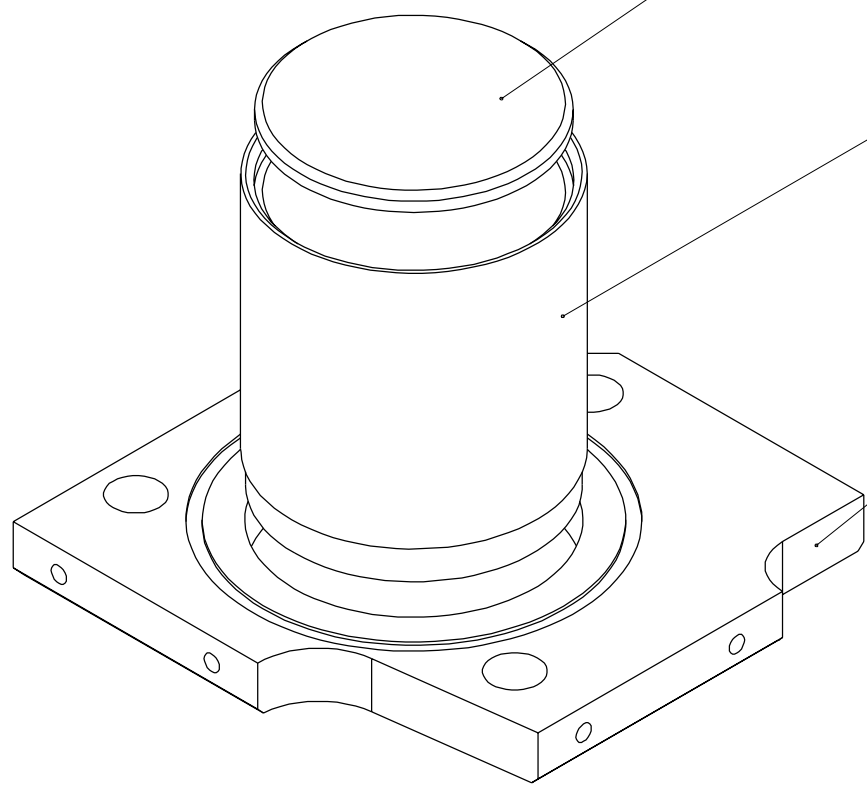


REV.	DATE	DCN #	DRAWING TREE #



**Bellow Cap
D020293-2
see sheet 20**

**Bellow Slug
D020293-1
see sheet 20**

**Top Foundation Plate
D020292
see sheet 19**

HEPI Exploded Bottom Foundation Plate sub-assembly

UNLESS OTHERWISE SPECIFIED:		DATE	NAME	CALIFORNIA INSTITUTE OF TECHNOLOGY MASSACHUSETTS INSTITUTE OF TECHNOLOGY
DIMENSIONS ARE IN INCHES	DRAWN	4/02	Hardham	
TOLERANCES:	REDRAWN	6/22/02	Hammond	SYSTEM
.XX ± 0.020"	CHECKED	6/24/02	Kern	SUB-SYSTEM
.XXX ± 0.005"				HEPI
ANGULAR ± 30°				NEXT ASSY
MATERIAL	COMMENTS:			PART NAME
FINISH				SIZE
				DWG. NO.
				REV
				C
				D020362-03-E
				SCALE:
				SHEET 18 OF 37