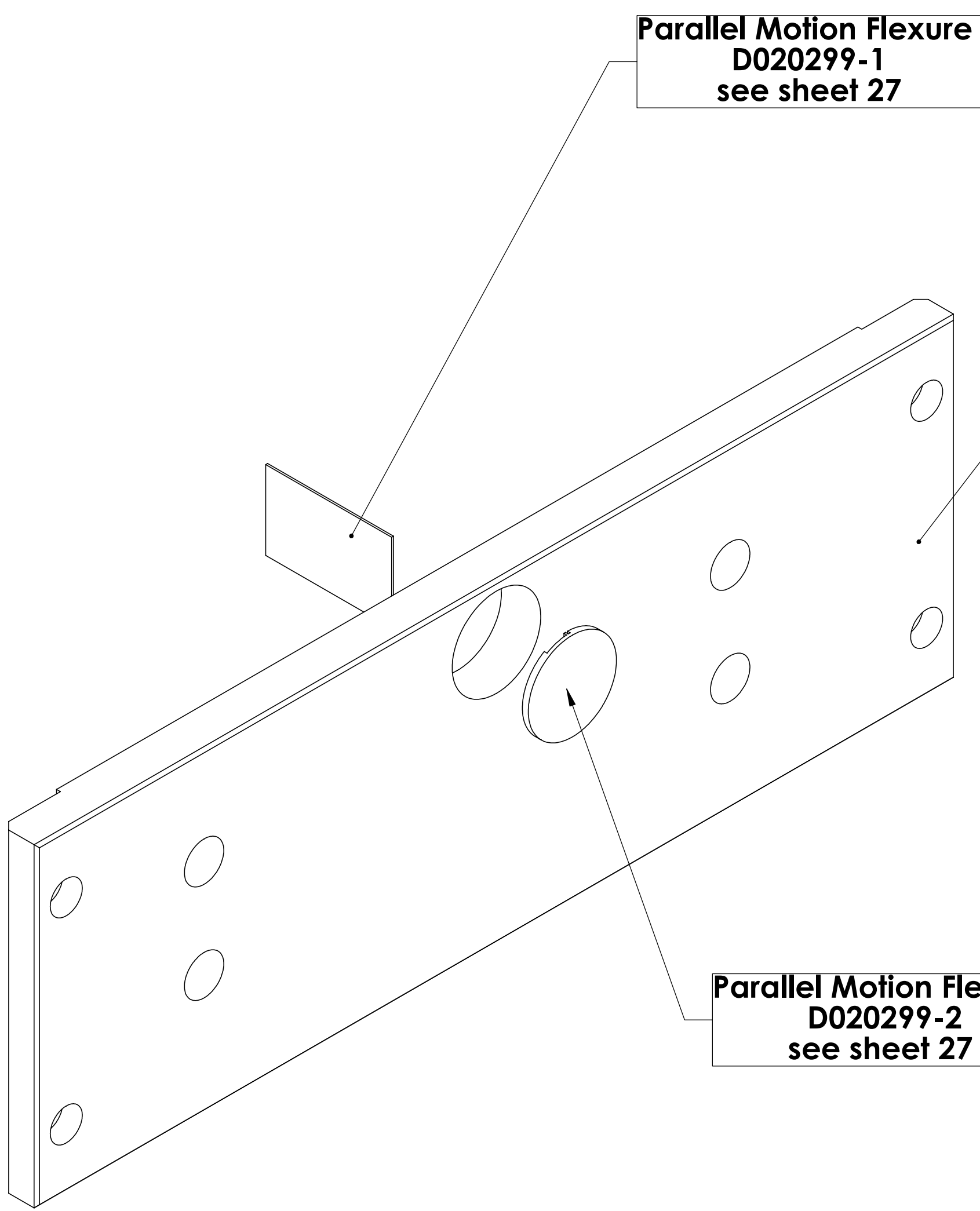


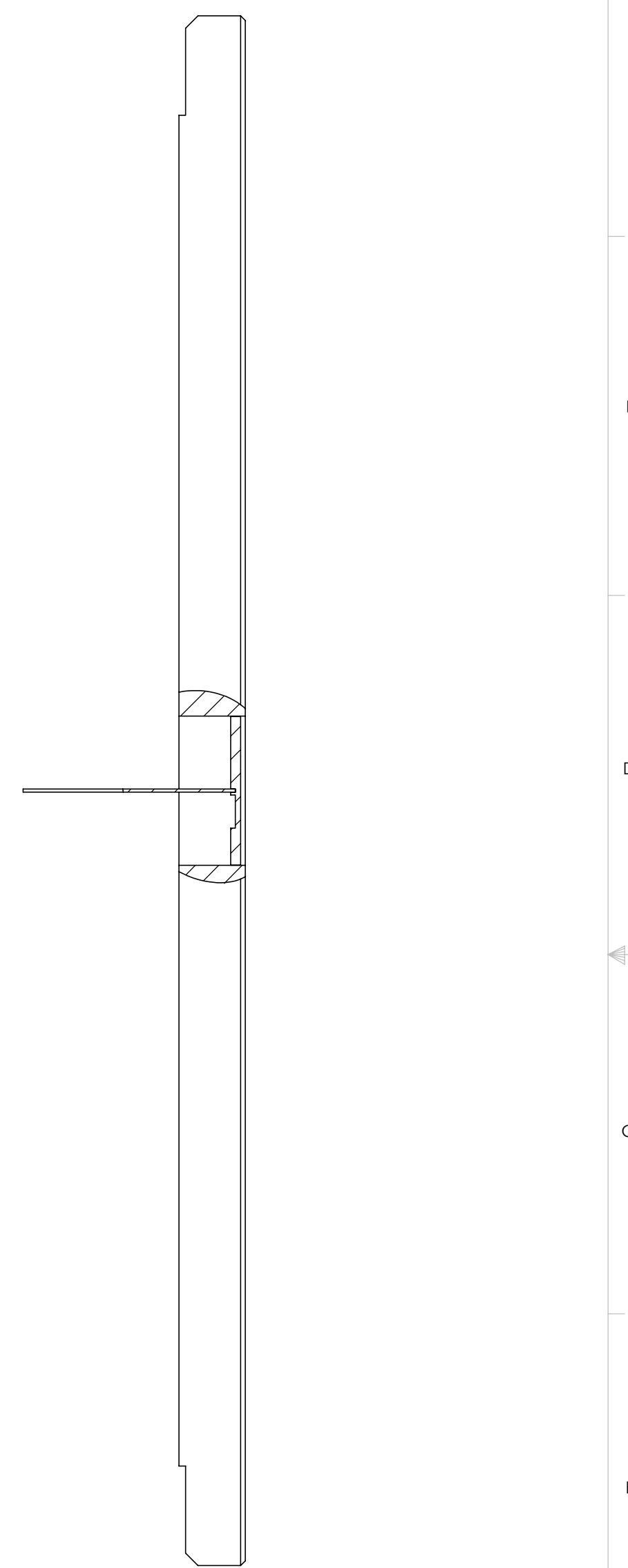
REV.	DATE	DCN #	DRAWING TREE #
A	2/9/2003		




**Parallel Motion Flexure
D020299-1
see sheet 27**

**Left Side
Foundation Plate
D020297
see sheet 26**

**Parallel Motion Flexure
D020299-2
see sheet 27**



UNLESS OTHERWISE SPECIFIED:		DATE	NAME	 CALIFORNIA INSTITUTE OF TECHNOLOGY MASSACHUSETTS INSTITUTE OF TECHNOLOGY	
DIMENSIONS ARE IN INCHES		DRAWN	4/02		Hardham
TOLERANCES: .XX ± 0.020"		REDRAWN	Fall 02		Hammond
.XXX ± 0.005"		CHECKED	2/9/03		Kern
ANGULAR ± 30'					
MATERIAL		COMMENTS:		SYSTEM LASTI SUB-SYSTEM HEPI NEXT ASSY	
FINISH 32 RMS unless noted		1 Required for each actuator		PART NAME Side Foundation Assembly view with Flexure SIZE DWG. NO. C D020363-A-E SCALE: 1:1 unless noted	
				REV A	