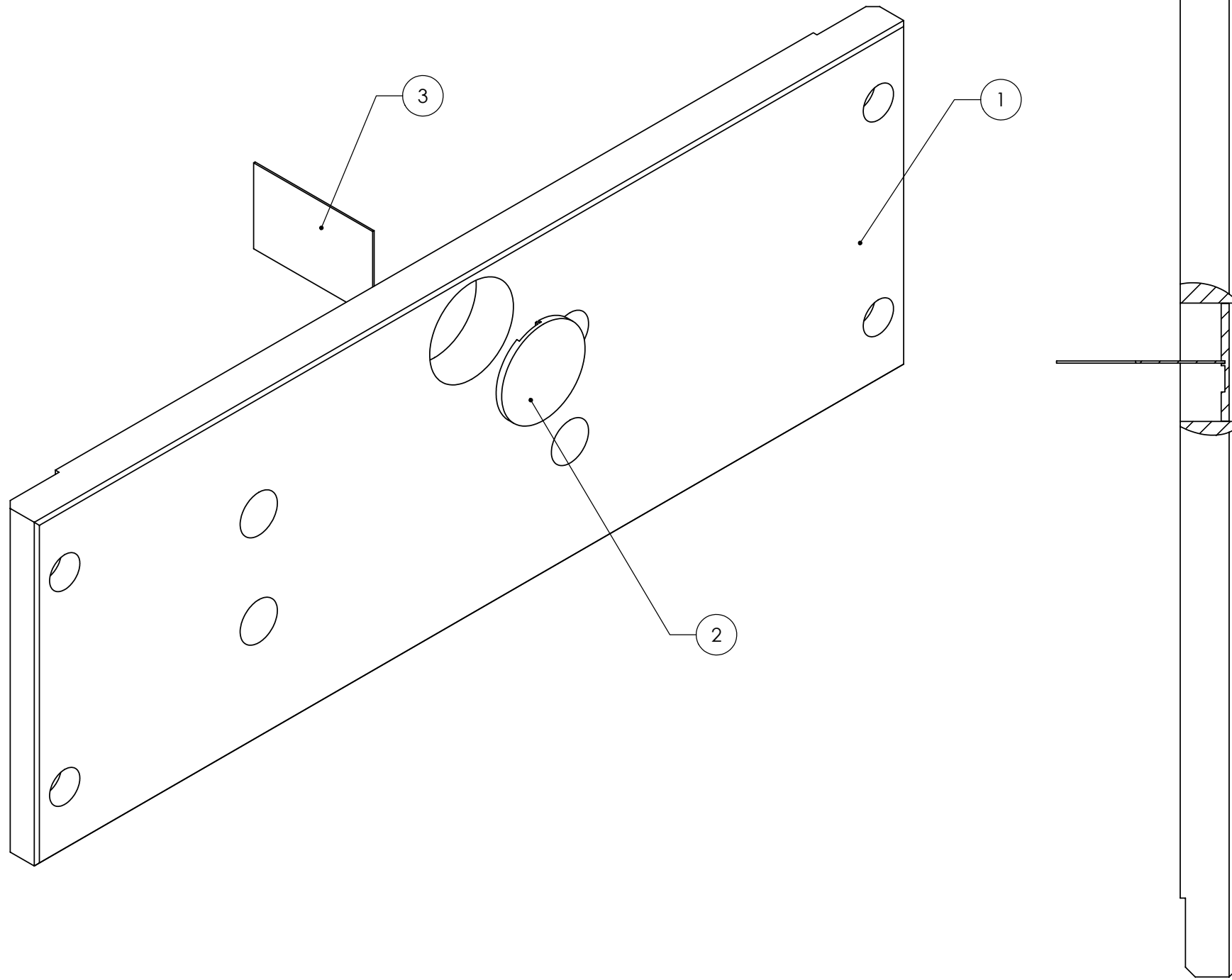



REV.	DATE	DCN #	DRAWING TREE #
A	Fall'02		
B	7/16/03	E030373-00-E	



ITEM NO.	QTY.	PART NO.	DESCRIPTION	MATERIAL / VENDOR	SHT. NO.
3	1	D020299-A	PARALLEL MOTION FLEXURE		26
2	1	D020299-A	PARALLEL FLEXURE HOLDER		26
1	1	D020297-A	SIDE FOUNDATION PLATE		25

UNLESS OTHERWISE SPECIFIED:	DATE	NAME	SYSTEM	LASTI
DRAWN	4/02	Hardham		
REDRAWN	Fall' 02	Hammond		
REDRAWN	7/16/03	Spjeld		
CHECKED	2/9/03	Kern		

DIMENSIONS ARE IN INCHES		 CALIFORNIA INSTITUTE OF TECHNOLOGY MASSACHUSETTS INSTITUTE OF TECHNOLOGY	
TOLERANCES:		PART NAME Side Foundation Assembly view with Flexure	
.XX ± 0.020"		SIZE	DWG. NO. D020363
.XXX ± 0.005"		SCALE:	1:1 unless noted
ANGULAR ± 30°		REV	B
MATERIAL	COMMENTS:	Sht. No. 24 / 43	
FINISH 120 RMS unless noted	1 Required for each actuator		