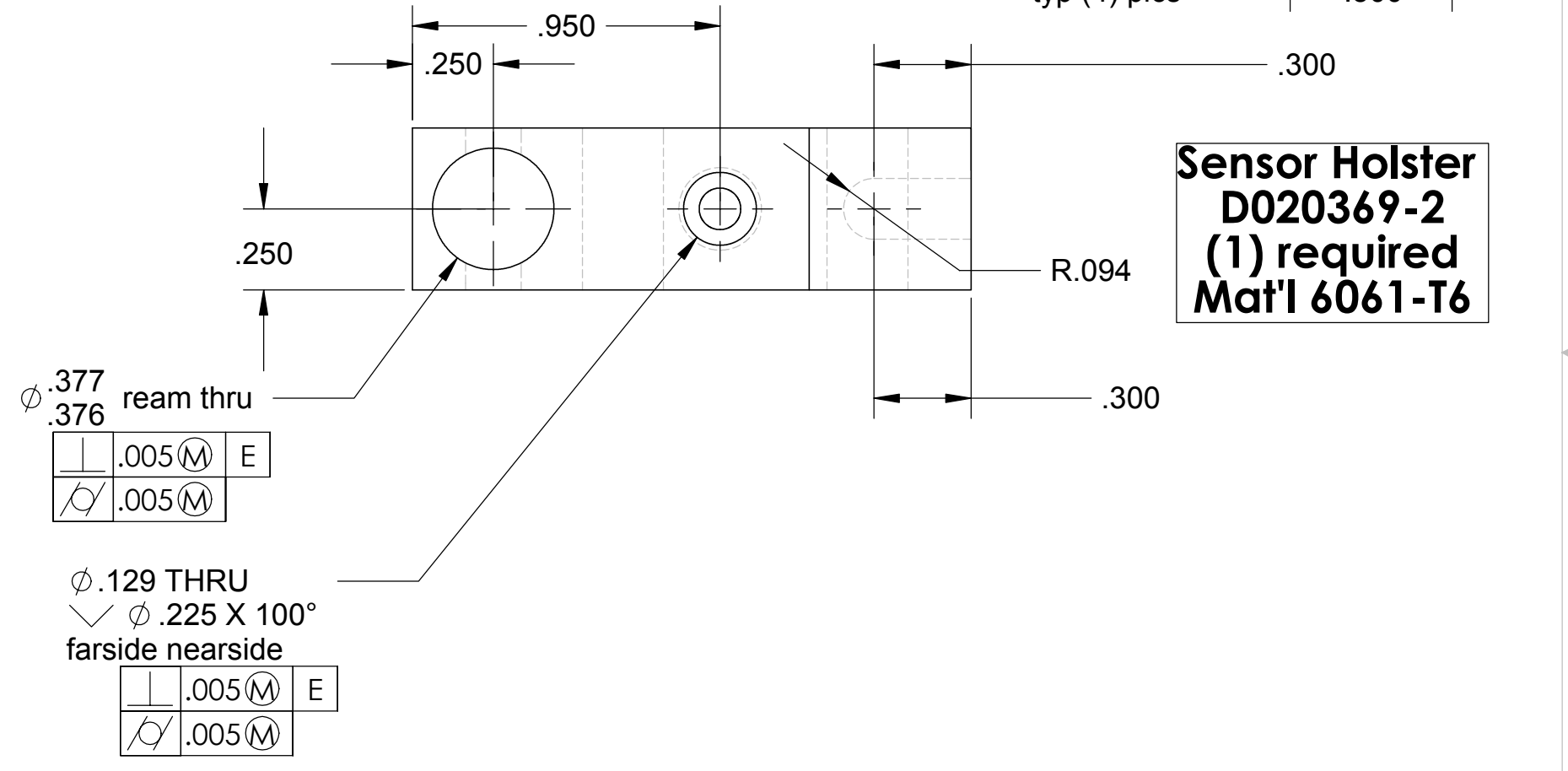
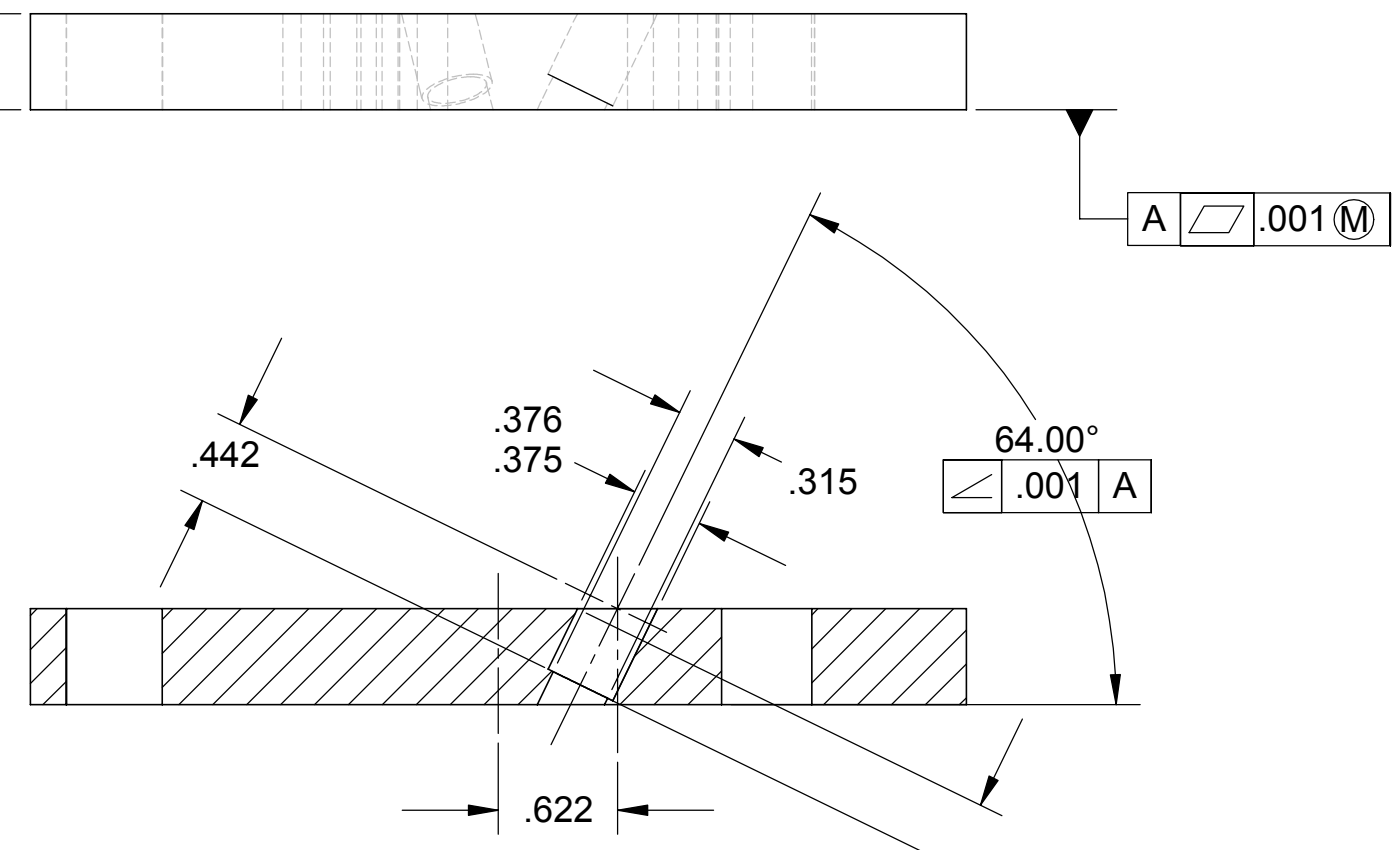
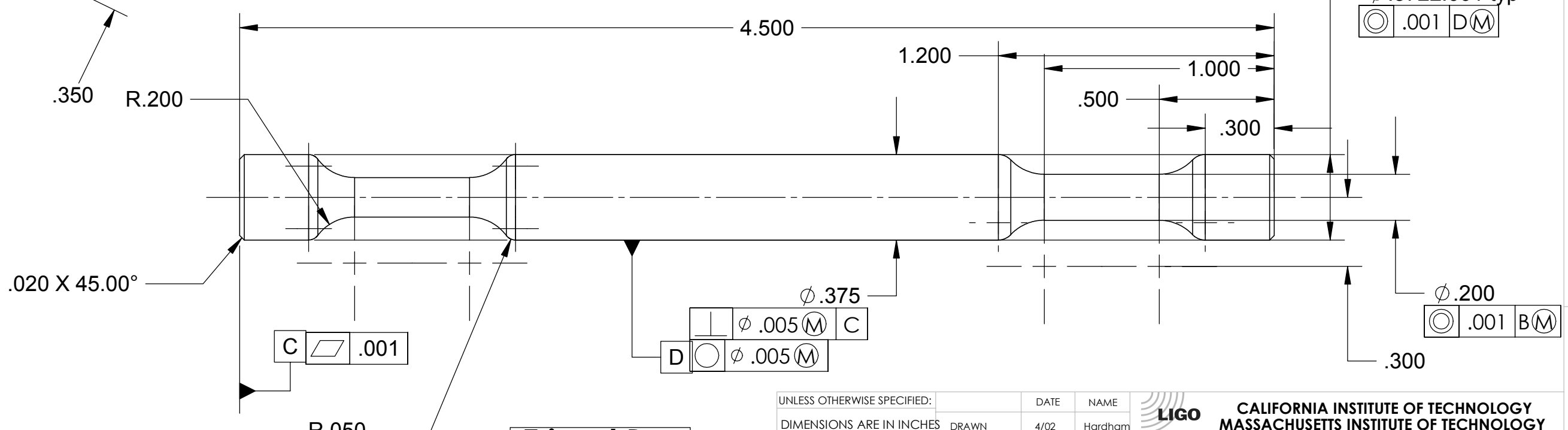


**Attach Plate  
D020369-1  
(1) required  
Mat'l 304 L**



**Sensor Holster  
D020369-2  
(1) required  
Mat'l 6061-T6**



**Tripod Bar  
D020369-3  
(3) required  
Mat'l 304 L**

UNLESS OTHERWISE SPECIFIED: DIMENSIONS ARE IN INCHES		DATE	NAME	CALIFORNIA INSTITUTE OF TECHNOLOGY MASSACHUSETTS INSTITUTE OF TECHNOLOGY	
TOLERANCES: .XX ± 0.020"	DRAWN	4/02	Hardham	SYSTEM	LASTI
.XXX ± 0.005"	REDRAWN	Fall '02	Hammond	SUB-SYSTEM	HEPI
ANGULAR ± 30'	CHECKED	2/9/03	Kern	NEXT ASSY	
MATERIAL	COMMENTS:		PART NAME HEPI Tripod Bar, Attach Plate and Sensor Holster		
FINISH 32 RMS unless noted			SIZE DWG. NO.	D020369-A-E	REV A
		SCALE:		1:1 unless noted	