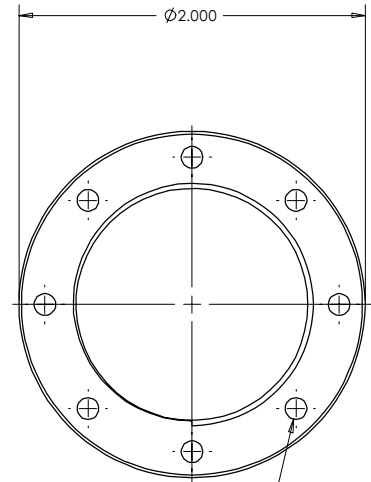
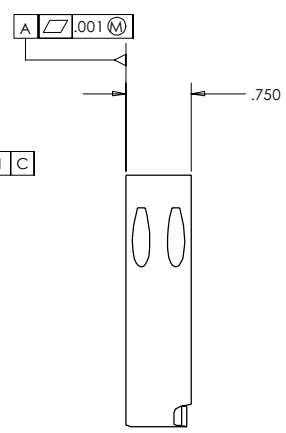
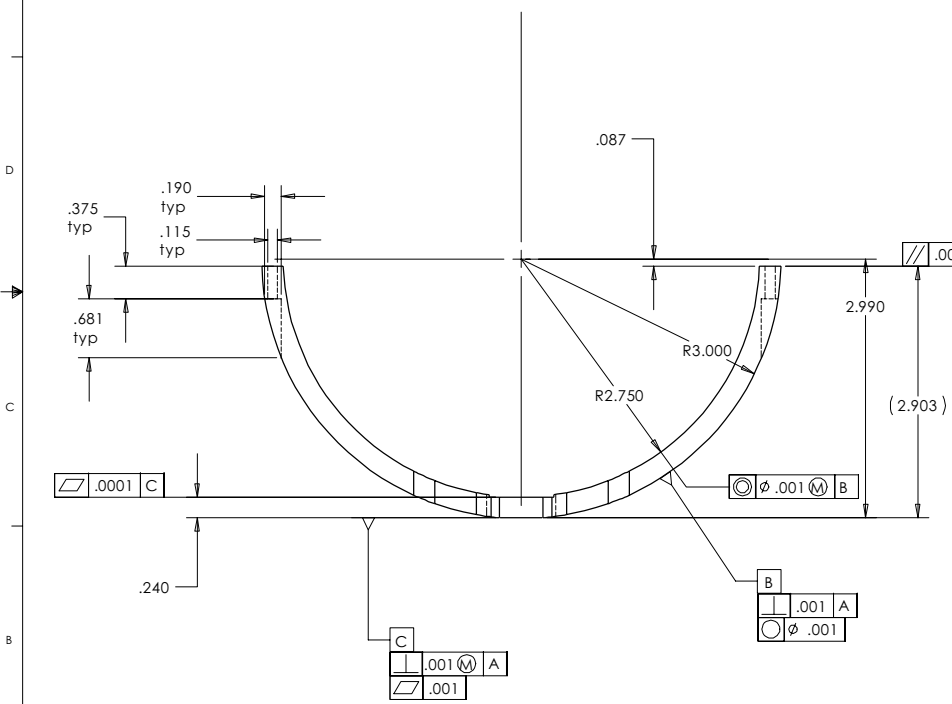
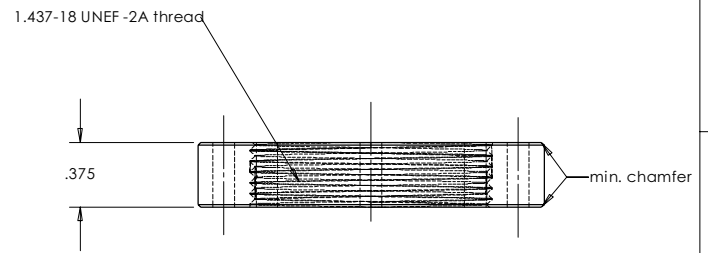
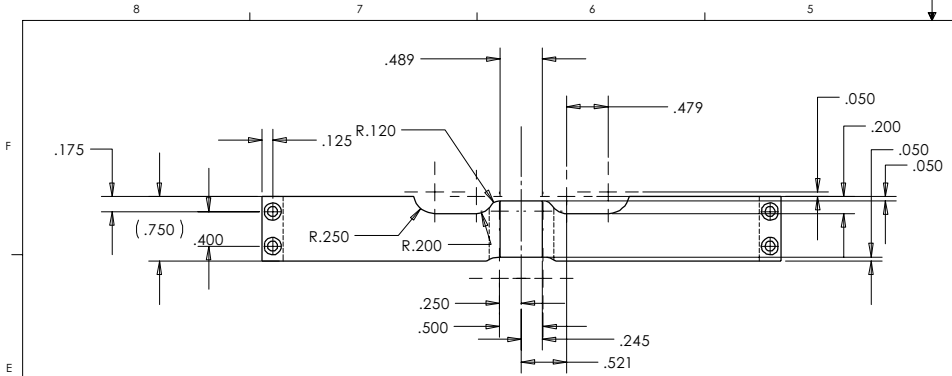


| | | | |
|------|------|-------|----------------|
| REV. | DATE | DCN # | DRAWING TREE # |
| | | | |



Ø.125 thru
typ (8) holes
equally spaced
apart
on a 1.70" B. C.

L4C Nut
D020370-2
mat'l : 6061-T6

Sensor flag
D020370-1
mat'l : 6061-T6

HEPI Displacement Sensor Flag and L4C Nut

| | | | | |
|-----------------------------|-----------|----------|--------------|---|
| UNLESS OTHERWISE SPECIFIED: | | DATE | NAME | CALIFORNIA INSTITUTE OF TECHNOLOGY MASSACHUSETTS INSTITUTE OF TECHNOLOGY |
| DIMENSIONS ARE IN INCHES | DRAWN | 4/02 | Hardham | |
| TOLERANCES: | REDRAWN | 6/22/02 | Hammond | SYSTEM |
| .XX ± 0.020" | CHECKED | 6/24/02 | Kern | SUB-SYSTEM |
| .XXX ± 0.005" | | | | NEXT ASSY |
| ANGULAR ± 30' | | | | PART NAME |
| MATERIAL | COMMENTS: | SIZE | DWG. NO. | REV |
| | | C | D020370-03-E | |
| FINISH | | SCALE: | | SHEET 35 OF 37 |