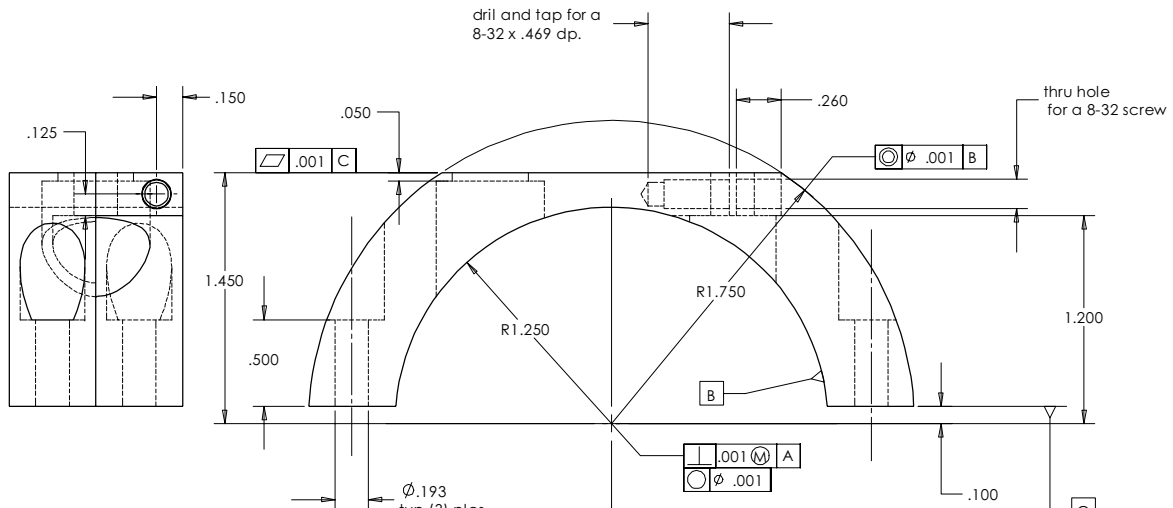
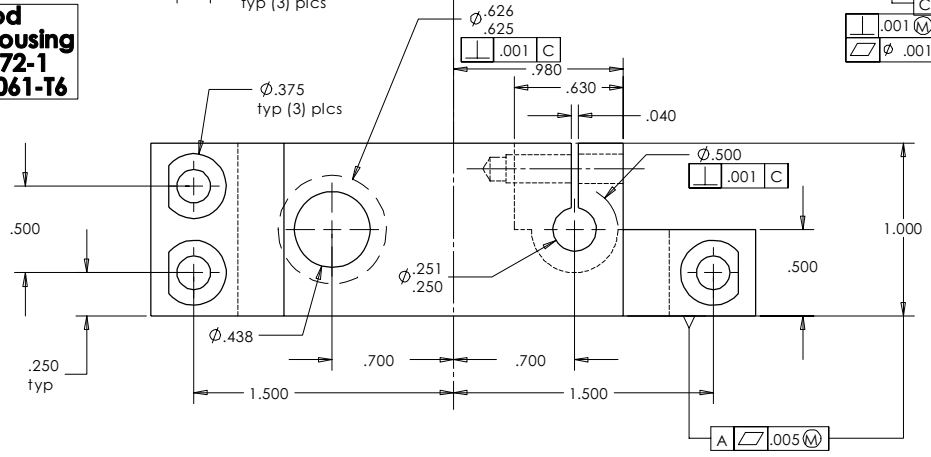


REV.	DATE	DCN #	DRAWING TREE #

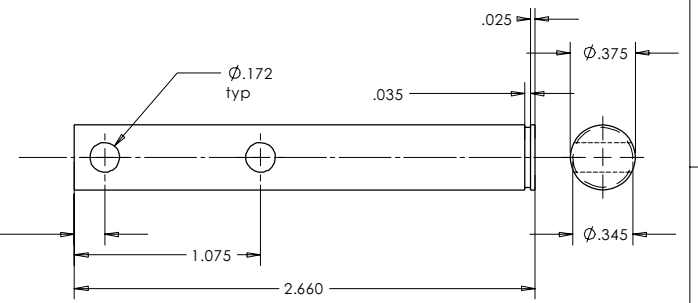
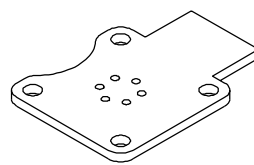
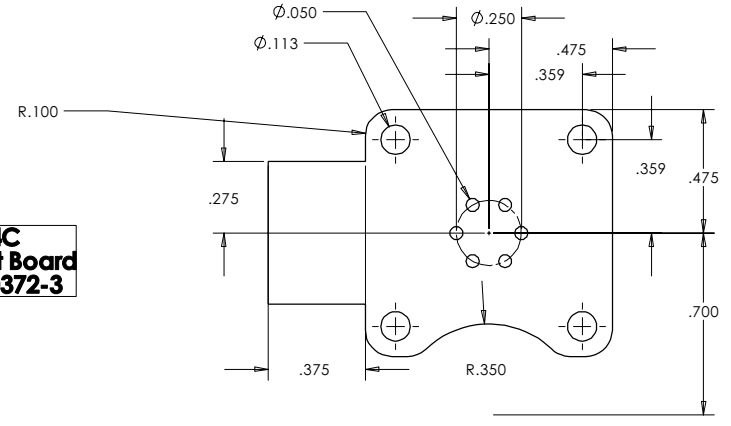


**Tripod
Sensor Housing
D020372-1
matl: 6061-T6**

**Tripod
Sensor Post
D020372-2
use Thompson Rod
(hardened and ground)**



**L4C
Circuit Board
D020372-3**



HEPI Tripod Sensor Housing, Sensor Post, and Circuit Board

UNLESS OTHERWISE SPECIFIED:		DATE	NAME	CALIFORNIA INSTITUTE OF TECHNOLOGY MASSACHUSETTS INSTITUTE OF TECHNOLOGY	
DIMENSIONS ARE IN INCHES		DRAWN	4/02		Hardham
TOLERANCES:		REDRAWN	6/22/02		Hammond
.XX ± 0.020"		CHECKED	6/24/02		Kern
.XXX ± 0.005"				SYSTEM	
ANGULAR ± 30'				SUB-SYSTEM	
MATERIAL				HEPI	
FINISH				NEXT ASSY	
304 L				PART NAME	
				SIZE DWG. NO.	
				C	
				D020372-03-E	
				REV	
				SCALE:	
				SHEET 37 OF 37	