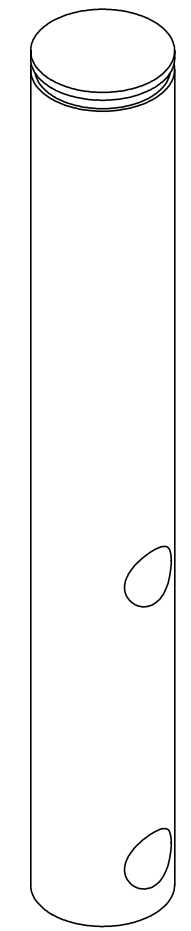
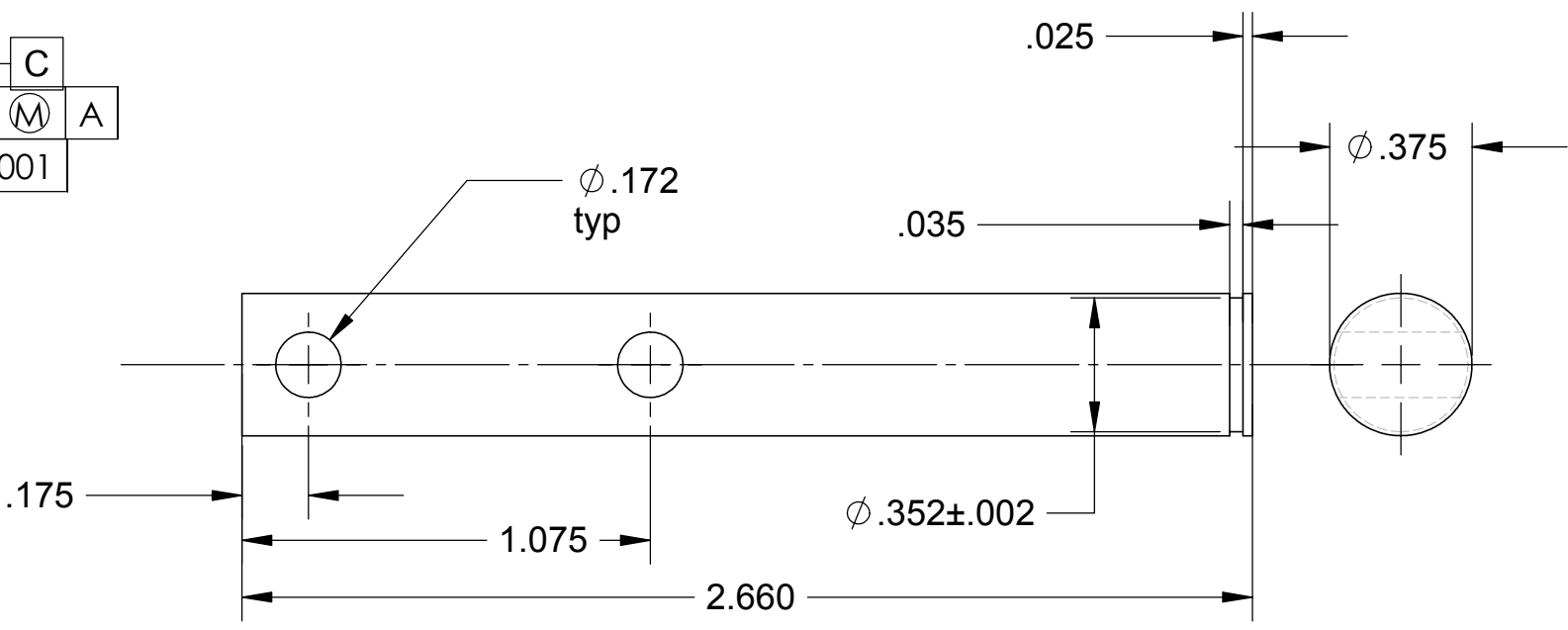
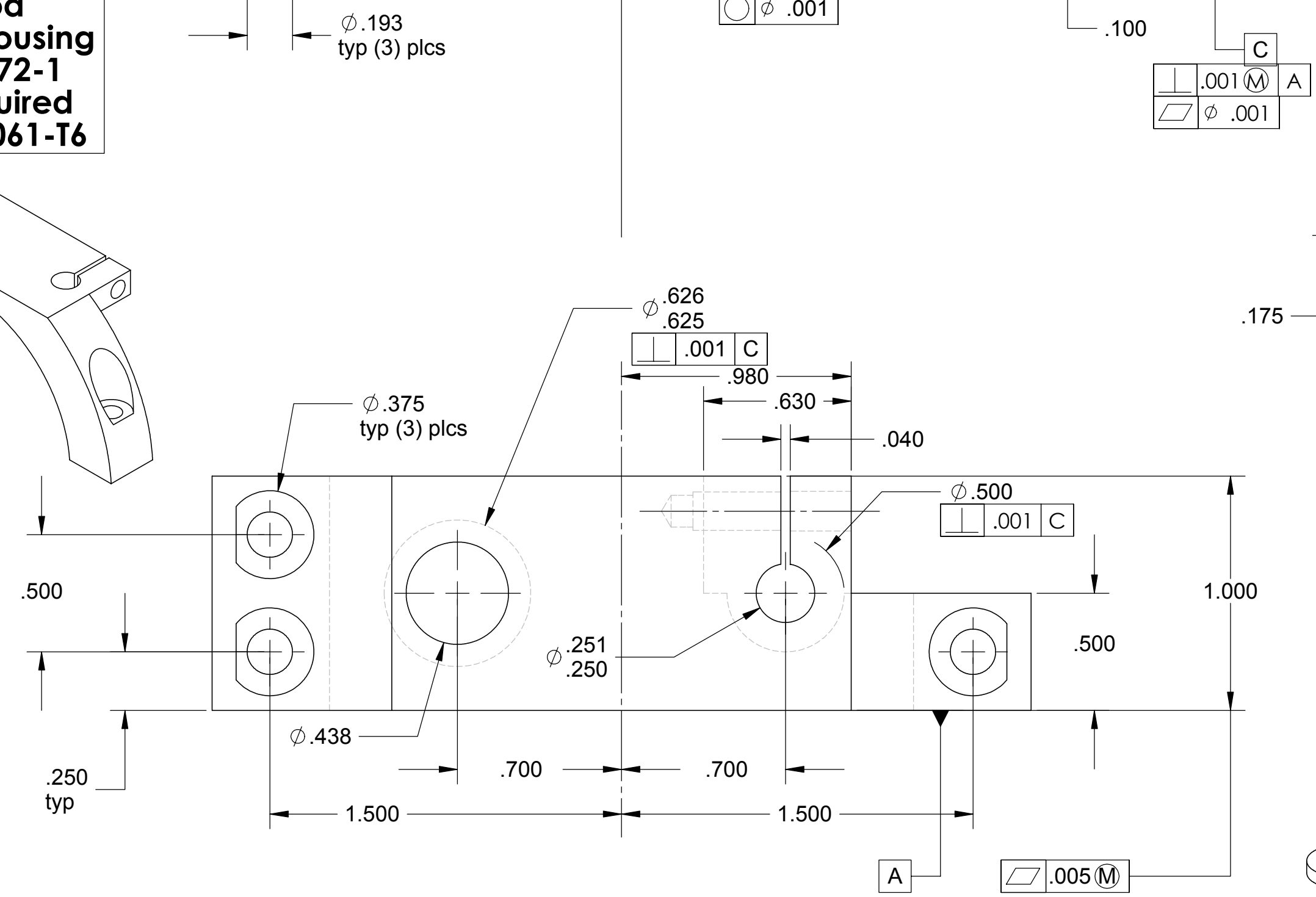
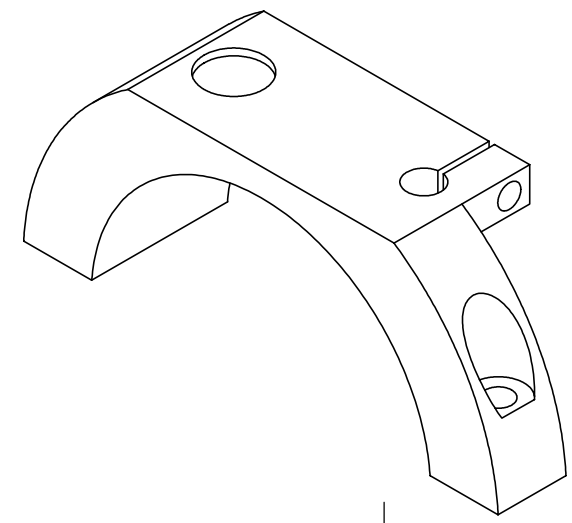


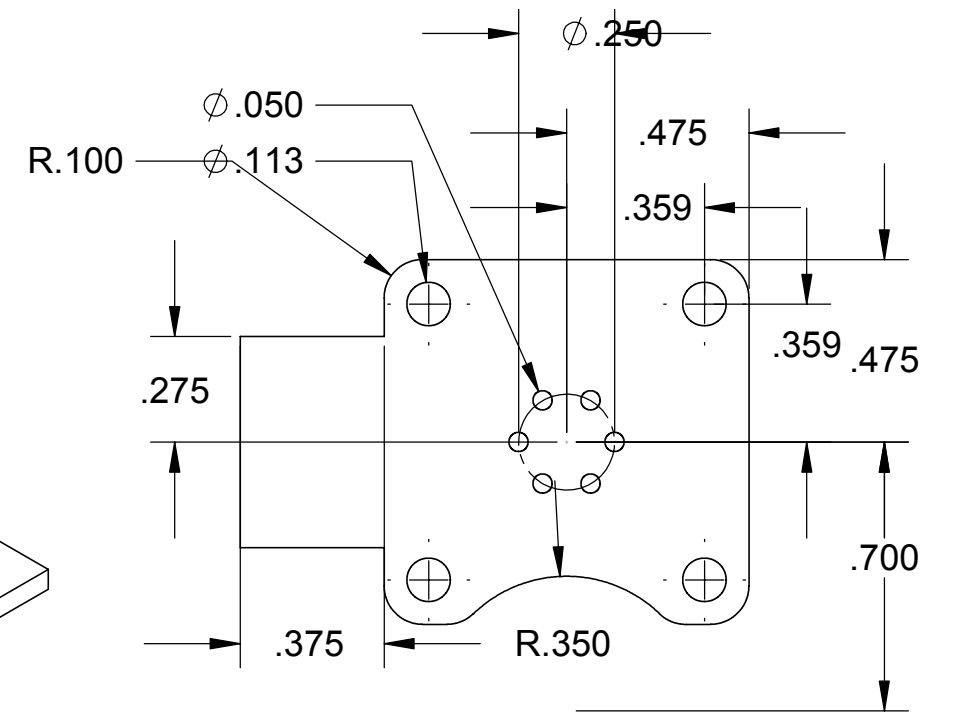
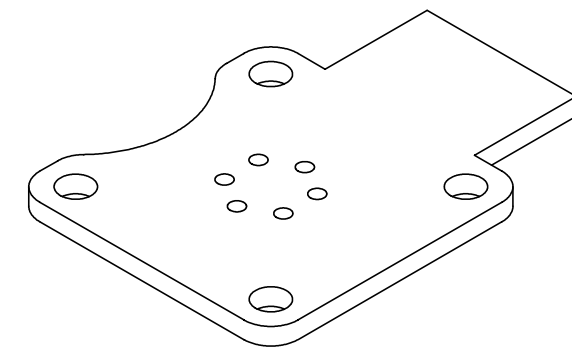
Tripod Sensor Post D020372-2 (1) required use Thompson Rod (hardened and ground)



Tripod Sensor Housing D020372-1 (1) required mat'l: 6061-T6



L4C Circuit Board (1) required D020372-3



UNLESS OTHERWISE SPECIFIED:		DATE	NAME	CALIFORNIA INSTITUTE OF TECHNOLOGY MASSACHUSETTS INSTITUTE OF TECHNOLOGY	
DIMENSIONS ARE IN INCHES		DRAWN	4/02		Hardham
TOLERANCES:		REDRAWN	1/15/03		Hammond
.XX ± 0.020"		CHECKED	2/9/03		Kern
.XXX ± 0.005"					
ANGULAR ± 30'					
MATERIAL		COMMENTS:		PART NAME	
304 L				HEPI Tripod Sensor Housing, Sensor Post, and Circuit Board	
FINISH				SIZE DWG. NO.	
32 RMS UNLESS NOTED				C D020372-A-E	
				REV A	
				SCALE: 1:1 UNLESS NOTED	