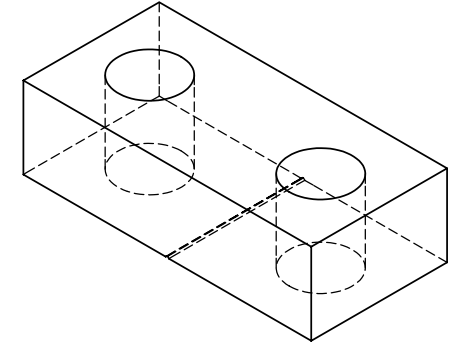
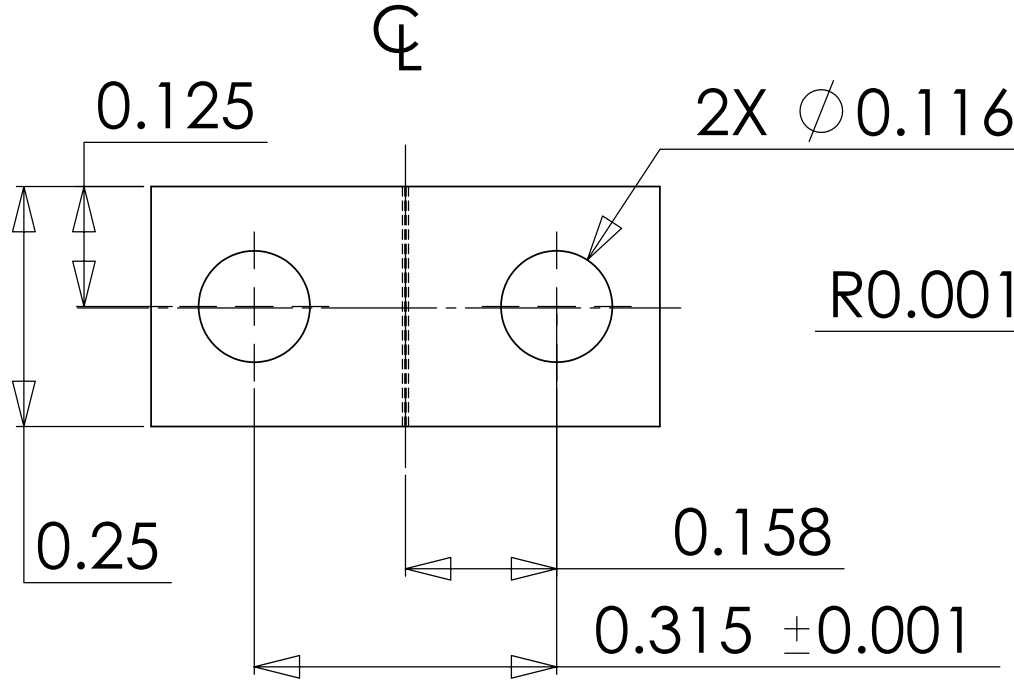


NOTES: (UNLESS OTHERWISE SPECIFIED)

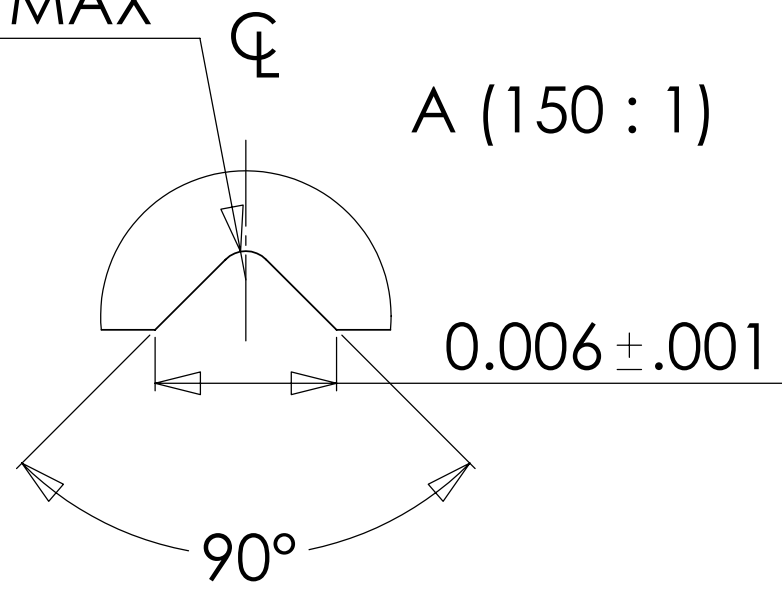
1. DIMENSIONS IN INCHES

2. ALL MACHINING FLUIDS SHALL BE WATER SOLUBLE AND FREE OF SULFUR, CHLORINE AND SILICONE, SUCH AS CINCINNATI MILACRON'S CIMTECH 410 (STAINLESS STEEL)

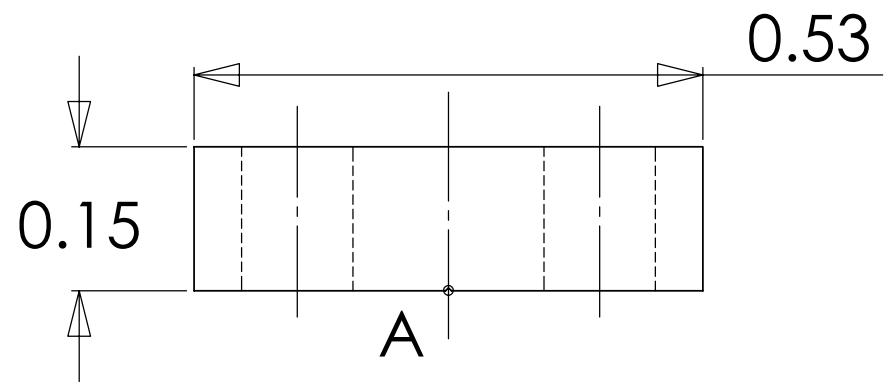
REV.	DATE	DCN #	DRAWING TREE #




R0.001 MAX



A (150 : 1)



DIMENSIONS ARE IN INCHES		NAME	DATE	 CALIFORNIA INSTITUTE OF TECHNOLOGY MASSACHUSETTS INSTITUTE OF TECHNOLOGY
TOLERANCES: .XX ±0.01 .XXX ±0.005 ANGULAR±1°		DM	07/16	
DRAWN				SYSTEM ADVANCED LIGO
CHECKED				SUB-SYSTEM SUS
MATERIAL				NEXT ASSY MC
FINISH		COMMENTS:		PART NAME GROOVED CLAMP .006
		SCALE: NTS		SIZE A DWG. NO. D020376-00-D REV.
				SHEET 1 OF 1