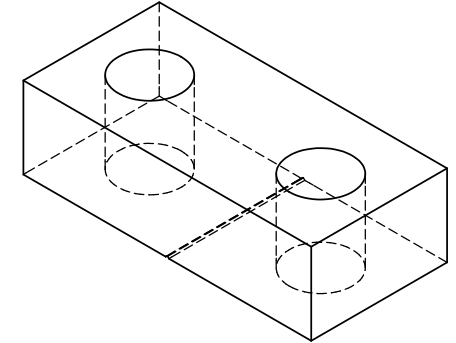
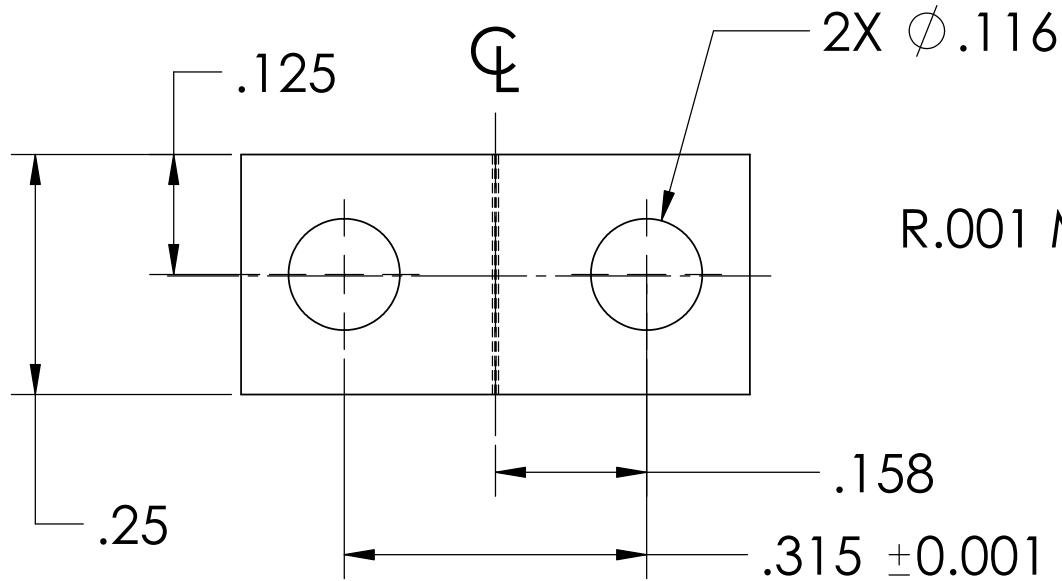


NOTES: (UNLESS OTHERWISE SPECIFIED)

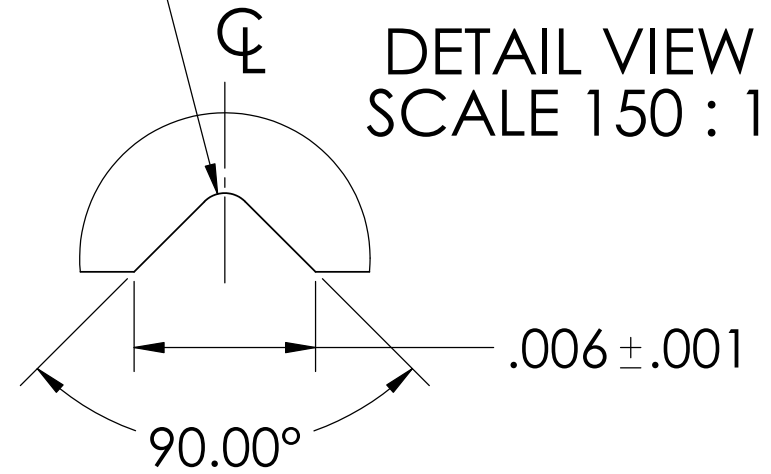
1. DIMENSIONS IN INCHES

2. ALL MACHINING FLUIDS SHALL BE WATER SOLUBLE AND FREE OF SULFUR, CHLORINE AND SILICONE, SUCH AS CINCINNATI MILACRON'S CIMTECH 410 (STAINLESS STEEL)

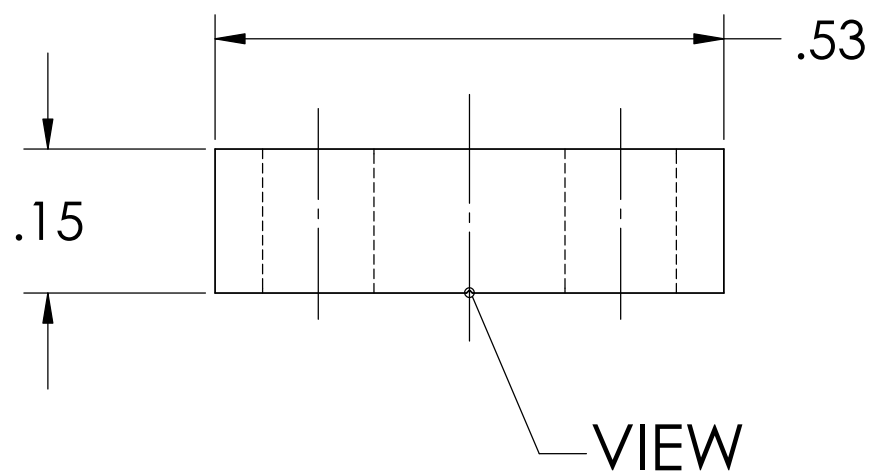
REV.	DATE	DCN
A	24TH JUNE 2004	E040303-00




R.001 MAX



DETAIL VIEW  
SCALE 150 : 1



VIEW

DIMENSIONS ARE IN INCHES		NAME	DATE	 CALIFORNIA INSTITUTE OF TECHNOLOGY MASSACHUSETTS INSTITUTE OF TECHNOLOGY	
TOLERANCES: .XX ±0.01 .XXX ±0.005 ANGULAR ±1°		DRAWN	DM		07/16
MATERIAL		CHECKED		SYSTEM	ADVANCED LIGO
6061-T6-AL				SUB-SYSTEM	SUS
FINISH		COMMENTS:		NEXT ASSY	MC: WIRE JIG
				PART NAME	WIRE START GROOVED CLAMP .006
SIZE	DWG. NO.	REV.			
A	D020376	A			
SCALE: NTS				SHEET 1 OF 1	