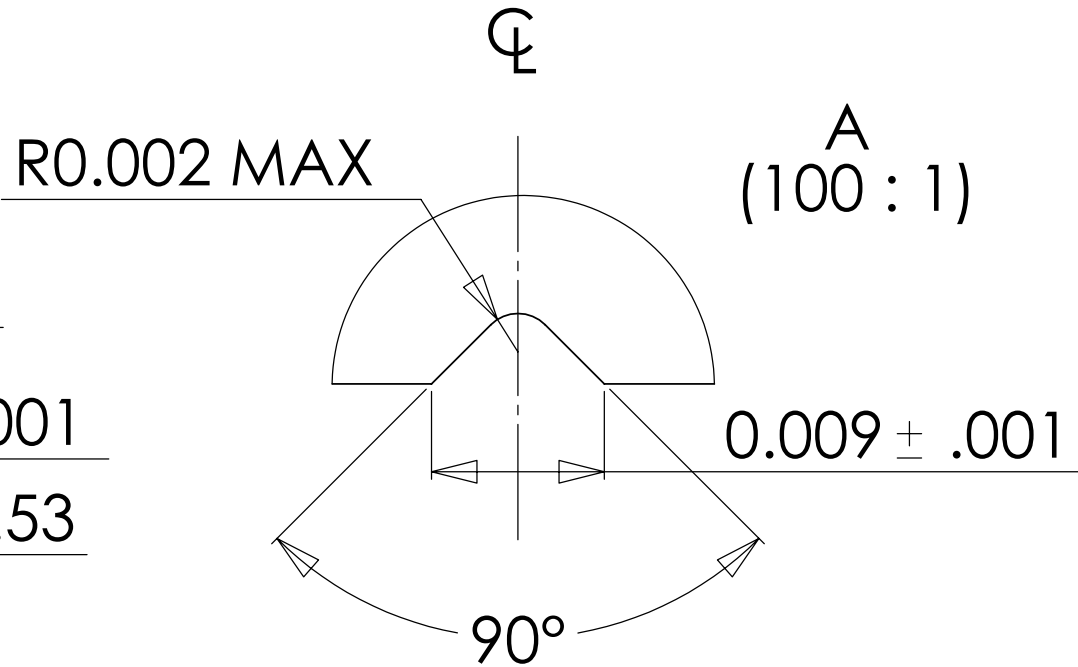
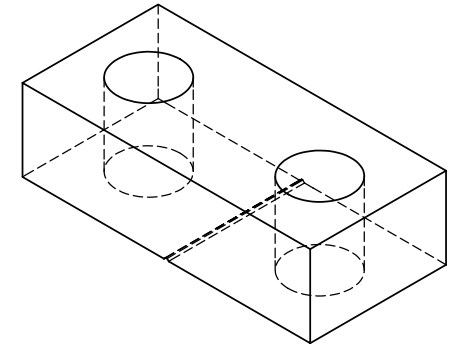
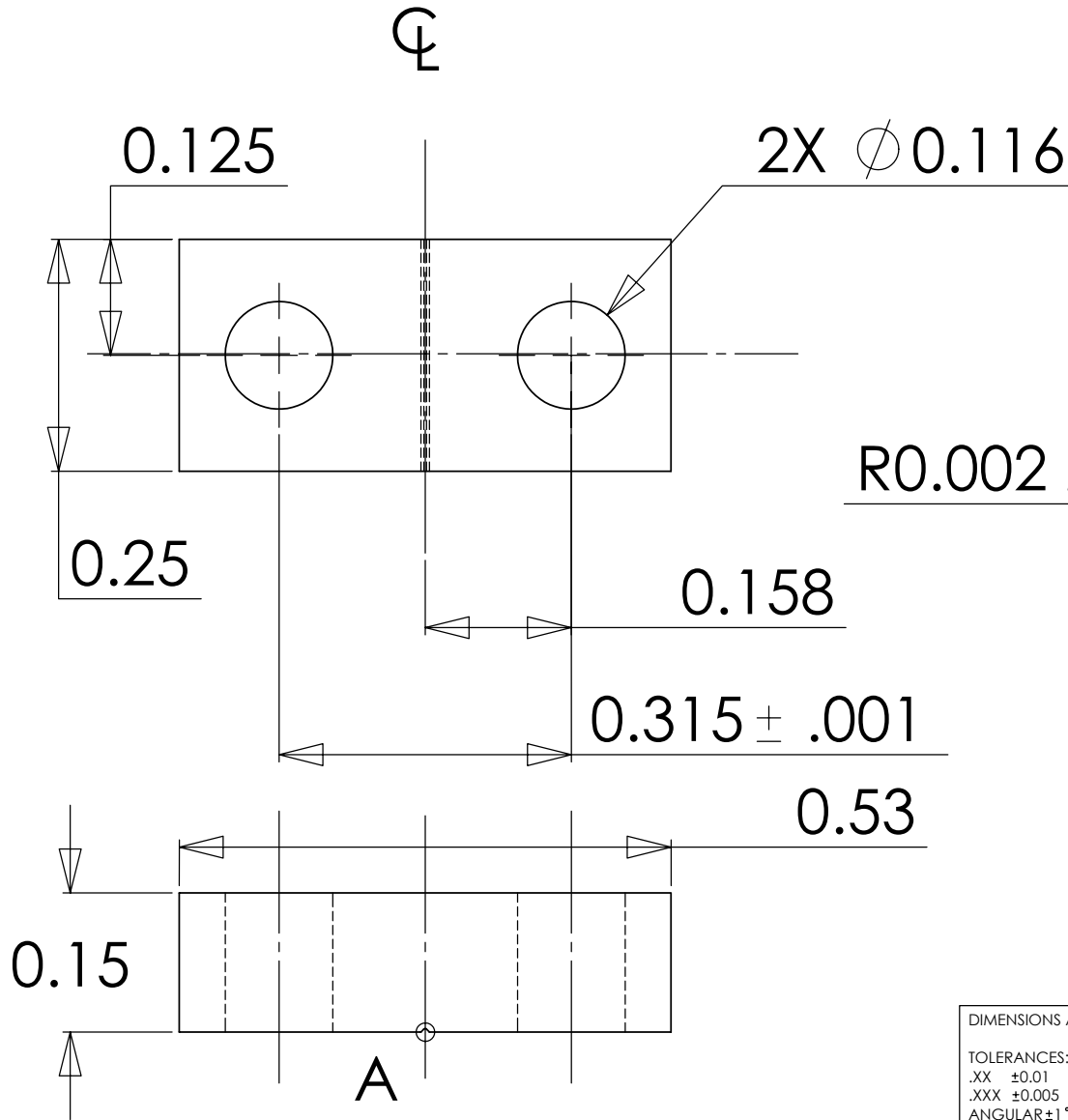



NOTES: (UNLESS OTHERWISE SPECIFIED)

1. DIMENSIONS IN INCHES

2. ALL MACHINING FLUIDS SHALL BE WATER SOLUBLE AND FREE OF SULFUR, CHLORINE AND SILICONE, SUCH AS CINCINNATI MILACRON'S CIMTECH 410 (STAINLESS STEEL)

REV.	DATE	DCN #	DRAWING TREE #



DIMENSIONS ARE IN INCHES		NAME	DATE	 <b>CALIFORNIA INSTITUTE OF TECHNOLOGY MASSACHUSETTS INSTITUTE OF TECHNOLOGY</b>
TOLERANCES: .XX ±0.01 .XXX ±0.005 ANGULAR ±1°		DRAWN DM	07/16	
MATERIAL		CHECKED		SYSTEM <b>ADVANCED LIGO</b>
FINISH		COMMENTS:		SUB-SYSTEM <b>SUS</b>
				NEXT ASSY <b>MC</b>
				PART NAME <b>GROOVED CLAMP .009</b>
		SIZE <b>A</b>	DWG. NO. <b>D020377-00-D</b>	REV.
		SCALE: NTS		SHEET 1 OF 1