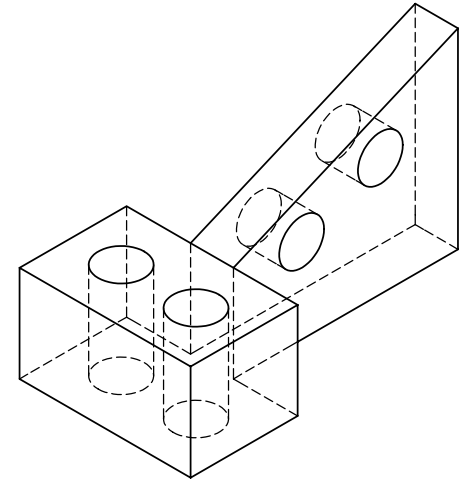
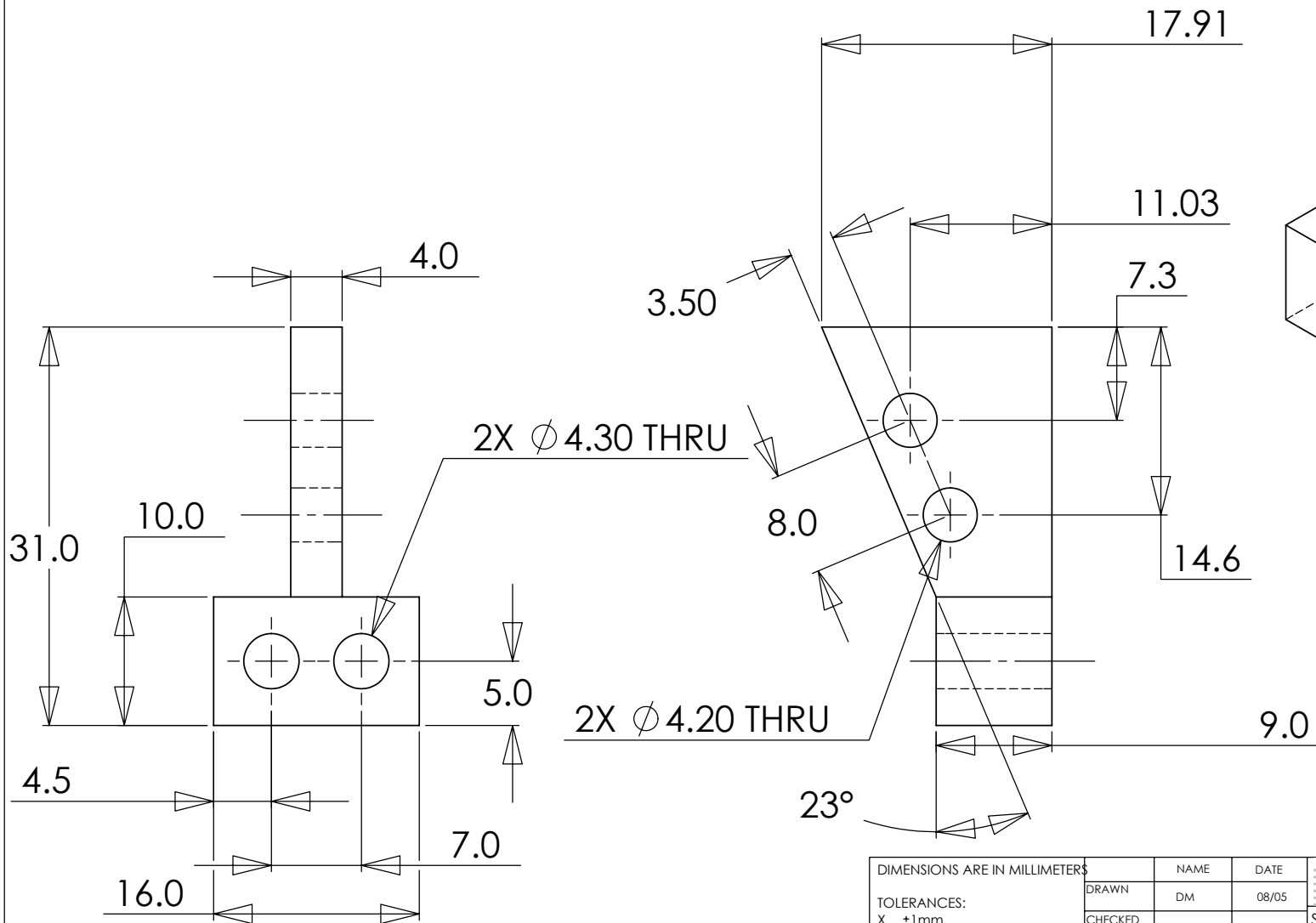


NOTES: (UNLESS OTHERWISE SPECIFIED)

1. DIMENSIONS IN MILLIMETERS
2. REMOVE ALL SHARP EDGES
3. ALL MACHINING FLUIDS SHALL BE WATER SOLUBLE AND FREE OF SULFUR, CHLORINE AND SILICONE, SUCH AS CINCINNATI MILACRON'S CIMTECH 410 (STAINLESS STEEL)

REV.	DATE	DCN #	DRAWING TREE #



DIMENSIONS ARE IN MILLIMETERS

TOLERANCES:  
 X. ±1mm  
 X.X ±0.1mm  
 X.XX ±0.05mm  
 ANGULAR ±1°

MATERIAL  
 STAINLESS STEEL 300

FINISH

NAME	DATE
DRAWN DM	08/05
CHECKED	

COMMENTS:

<b>LIGO</b> CALIFORNIA INSTITUTE OF TECHNOLOGY MASSACHUSETTS INSTITUTE OF TECHNOLOGY	
SYSTEM	<b>ADVANCED LIGO</b>
SUB-SYSTEM	<b>SUS</b>
NEXT ASSY	<b>MC</b>
PART NAME	BLADEWIRECLAMP STRAIGHT
SIZE <b>A</b>	DWG. NO. D020429-00-D
SCALE: NTS	SHEET 1 OF 1