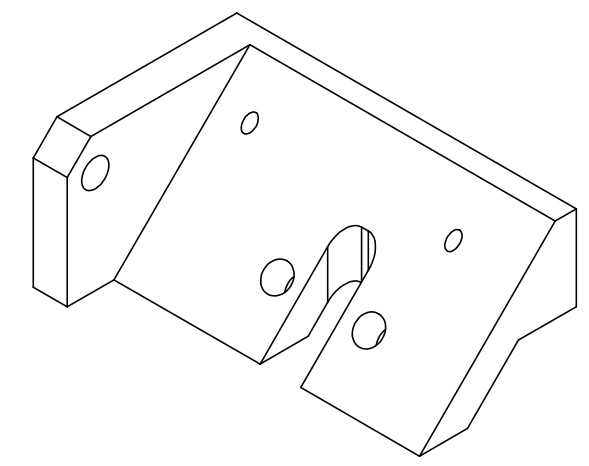
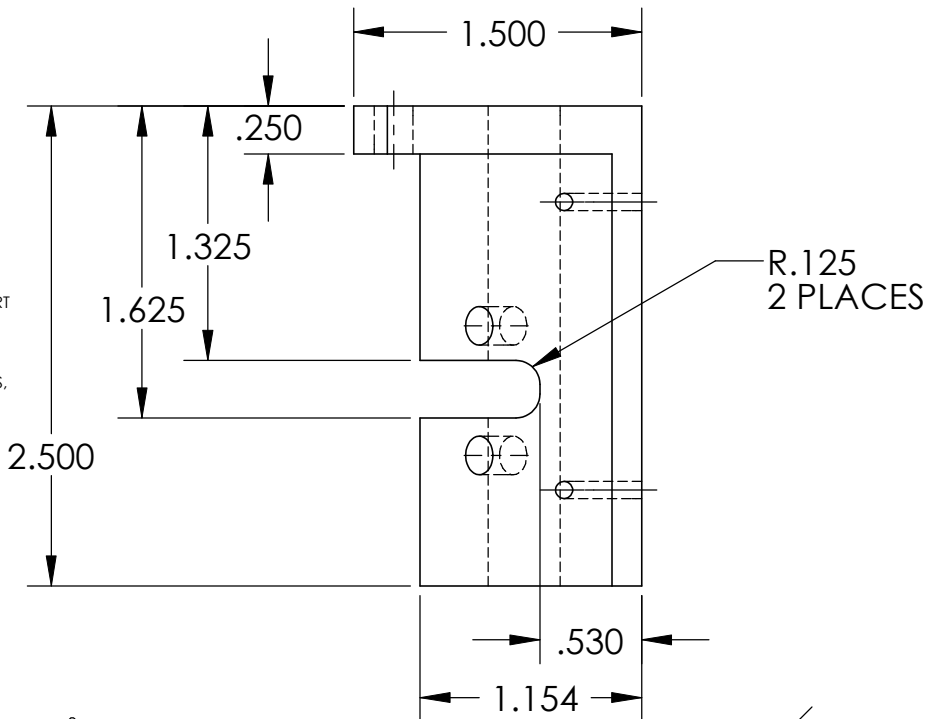


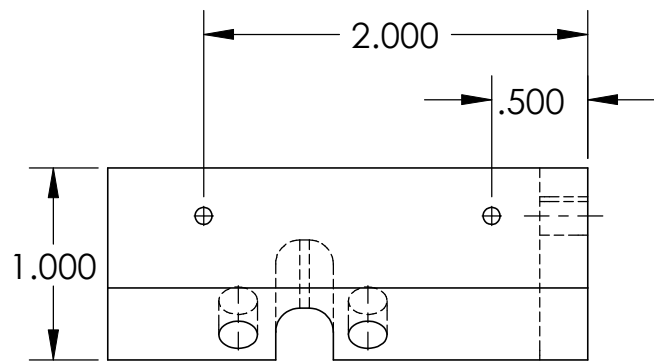
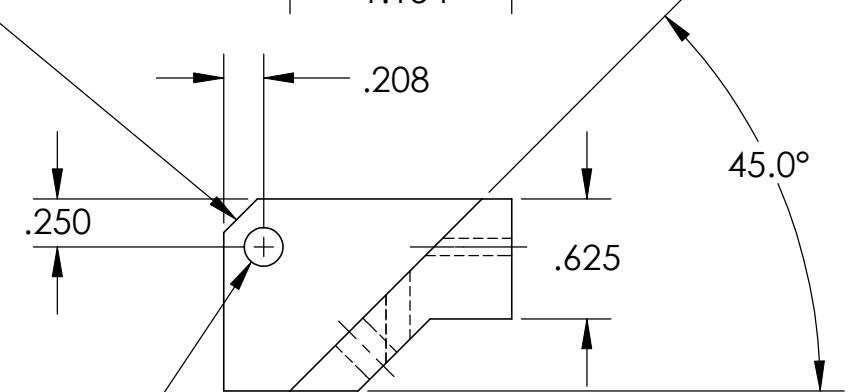
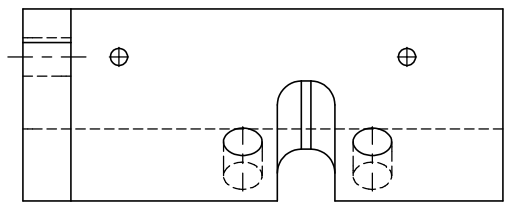
D1002361_ALIGO_IO_HAM_AUX_SUS_EARTHQUAKE_STOP_UPPER_LEFT, PART PDM REV: X-002, DRAWING PDM REV: X-001

- NOTES CONTINUED:**
- 5. SCRIBE, ENGRAVE, OR MECHANICALLY STAMP (NO DYES OR INKS) A UNIQUE THREE DIGIT SERIAL NUMBER & REVISION NUMBER ON EACH PART. SERIAL NUMBERS START AT 001 FOR THE FIRST ARTICLE AND PROCEED CONSECUTIVELY. BAG AND TAG PARTS WITH THEIR DRAWING PART NUMBER, REVISION, VARIANT OR "TYPE" (IF APPLICABLE), AND QUANTITY. IF PARTS ARE TOO SMALL TO SCRIBE, BAGGING AND TAGGING ALONE IS SUFFICIENT.
EXAMPLE (PART): 001-v1
EXAMPLE (TAG): DXXXXXX-VY, TYPE-XX, QTY: TBD
 - 6. APPROXIMATE WEIGHT = 0.117 LB.
 - 7. MACHINE ALL SURFACES TO REMOVE OXIDES AND MILL FINISH. USE OF ABRASIVE REMOVAL TECHNIQUES IS NOT ALLOWED. REFER TO LIGO-E0900364
 - 8. ALL PARTS SHALL BE MANUFACTURED IN ACCORDANCE WITH LIGO SPECIFICATION E0900364.
 - 9. ALL HELI-COIL HOLES TO BE PREPARED ACCORDING TO EMHART HELI-COIL PRODUCT CATALOG, HC2000, REV 4
 - 10. ALL HELI-COIL INSERTS TO BE INSTALLED BY LIGO PERSONNEL. AFTER DELIVERY OF FINISHED PARTS, USE NITRONIC 60 THREADED INSERTS.
 - 11. ALL MATERIAL IS TO BE VIRGIN MATERIAL (i.e. NO WELD REPAIRS, PLUGS OR RECYCLED MATERIAL). NO REPAIRS SHALL BE MADE UNLESS APPROVED IN ADVANCE, AND IN WRITING, BY LIGO LABORATORY. REFER TO LIGO-E0900364.

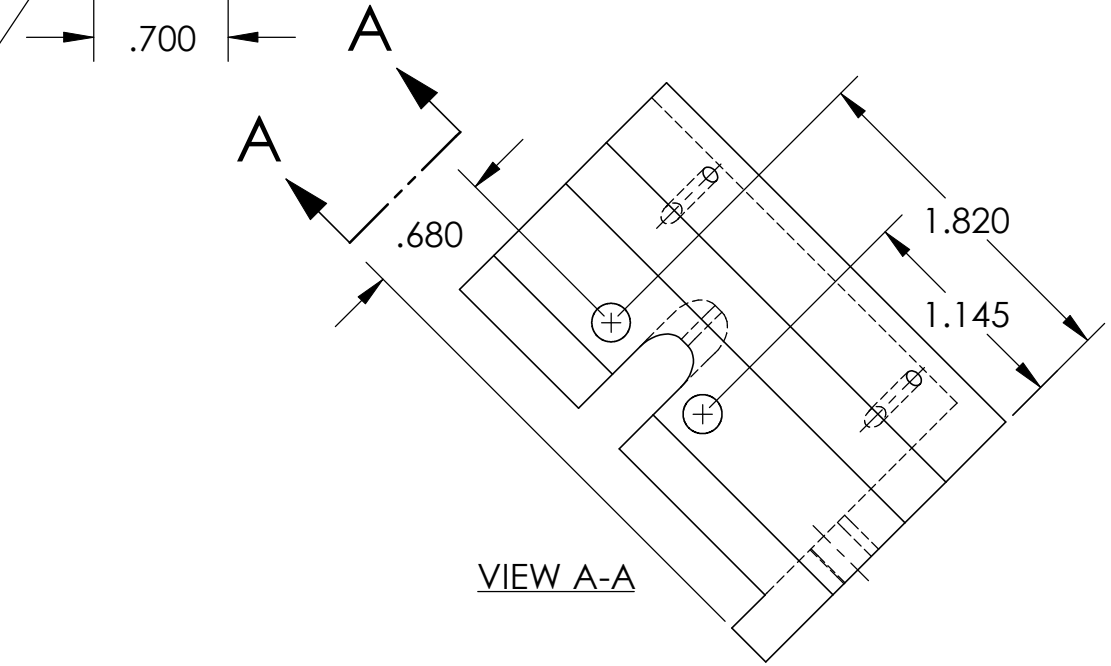
REV.	DATE	DCN #	DRAWING TREE #
-	-	E1100131	-
-	-	-	-
-	-	-	-



CHAMFER .175 x 45°



TAP THRU FOR #4-40 HELICOIL (1185-04EN224) 5 PLACES



NOTES AND TOLERANCES: (UNLESS OTHERWISE SPECIFIED)				UNIVERSITY OF FLORIDA CALIFORNIA INSTITUTE OF TECHNOLOGY MASSACHUSETTS INSTITUTE OF TECHNOLOGY		PART NAME	
DIMENSIONS ARE IN INCHES				LIGO		EARTHQUAKE STOP UPPER LEFT	
TOLERANCES: .XX ± .01 .XXX ± .003				ADVANCED LIGO		DESIGNER L.WILLIAMS 16 SEPT 2010	
ANGULAR ± 0.1°				SUB-SYSTEM 100		DRAFTER L.WILLIAMS 16 SEPT 2010	
MATERIAL 6061 Alloy				NEXT ASSY D1000120		SIZE DWG. NO. B D1002361	
FINISH 63 μinch						REV. v3	
						SCALE: 1:1 PROJECTION: SHEET 1 OF 1	