

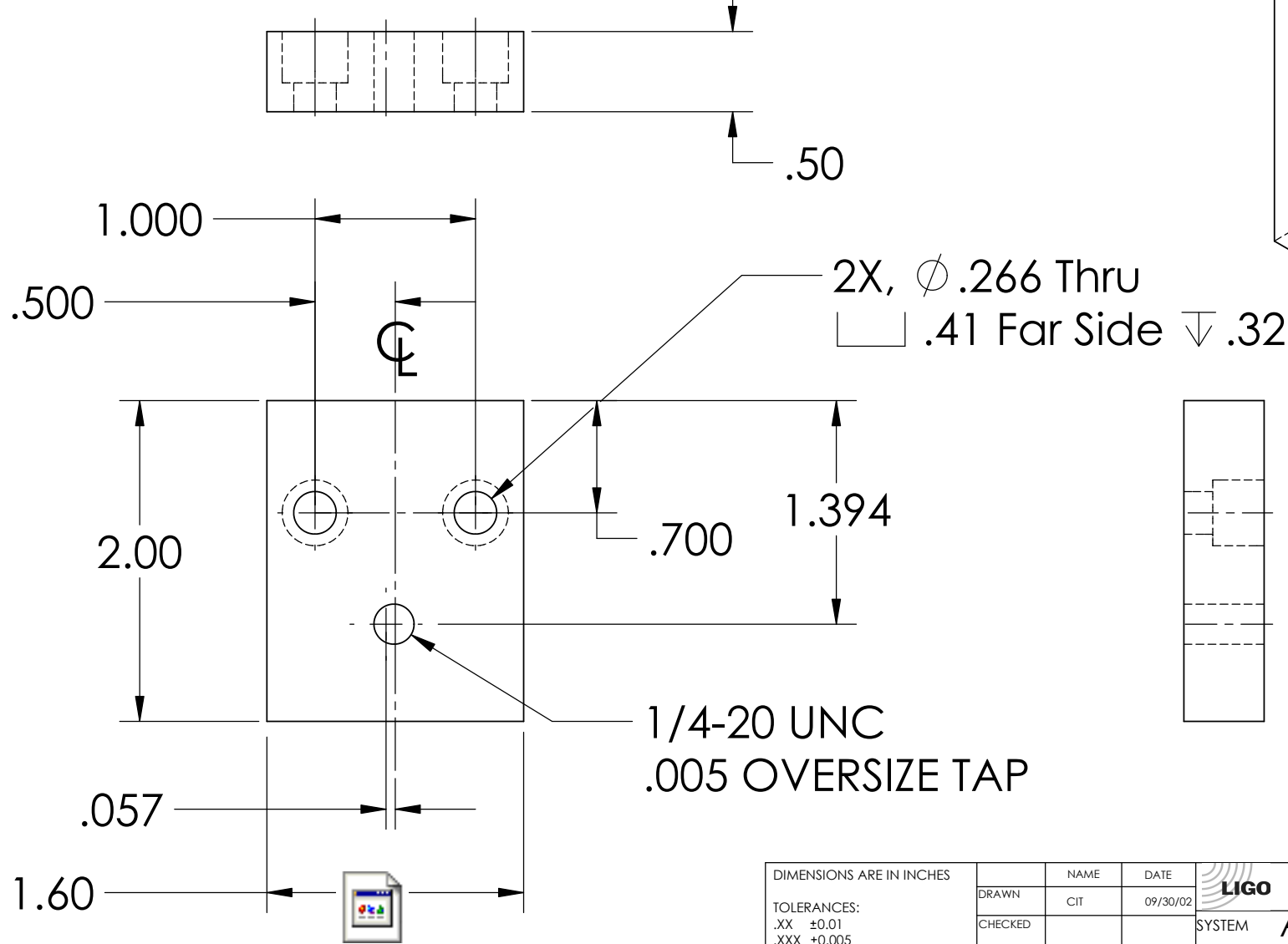
NOTES: (UNLESS OTHERWISE SPECIFIED)

1. DIMENSIONS IN INCHES


2. REMOVE ALL SHARP EDGES, R.02 MIN

3. ALL MACHINING FLUIDS SHALL BE WATER SOLUBLE AND FREE OF SULFUR, CHLORINE AND SILICONE, SUCH AS CINCINNATI MILACRON'S CIMTECH 410 (STAINLESS STEEL)

REV.	DATE	
A	24th JUNE 2004	E040303-00



D020463\_LOSWinchfixture\_AdapterPlate.step

DIMENSIONS ARE IN INCHES		NAME	DATE	 <b>CALIFORNIA INSTITUTE OF TECHNOLOGY MASSACHUSETTS INSTITUTE OF TECHNOLOGY</b>
DRAWN		CIT	09/30/02	
CHECKED				SYSTEM <b>ADVANCED LIGO</b>
				SUB-SYSTEM <b>SUS</b>
				NEXT ASSY <b>MC: UPPER BLADES</b>
MATERIAL	6061-T6-Al	COMMENTS:		PART NAME <b>LOS Winch fixture adapter plate</b>
FINISH		SIZE <b>A</b>	DWG. NO. <b>D020463</b>	REV. <b>A</b>
		SCALE: NTS		SHEET 1 OF 1