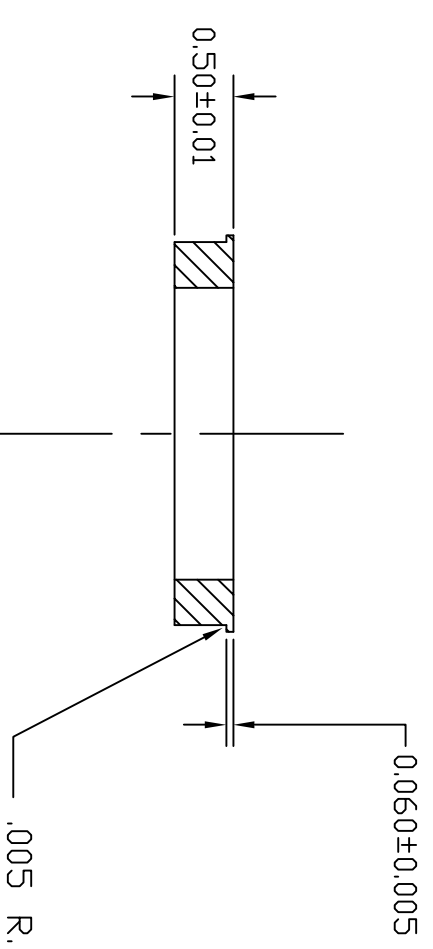
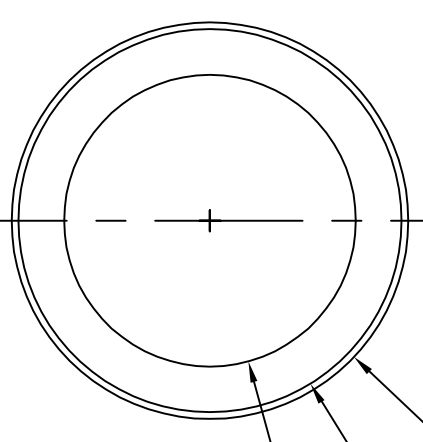


NOTES: (UNLESS OTHERWISE SPECIFIED)

REV.	DATE	BY	BRWING TRC #
A	2-1-03		
			LIBR-030009-00-2



ALUMINUM GUIDE SLEEVE



MAKE 1

ITEM NO.	REQ. QTY	SPARE TOT.	PART NUMBER	DESCRIPTION	SUPPLIER

UNLESS OTHERWISE SPECIFIED	
DIMENSIONS ARE IN INCHES	DATE 2/4/03
TOLERANCES	BY KEM
XX ± .005	CHECKED
XXX ± .01	SYSTEM LASTI
ANGLE 3 DEG	SUB-SYSTEM LASTI HYDRAULIC
MATERIAL ALUM.	NET ASSY N/A
FINISH NONE	PART NAME PUMP GUIDE SLEEVE CIG & SCREW
	SIZE DWG. NO. D030056-A
	SCALE C
	REV

