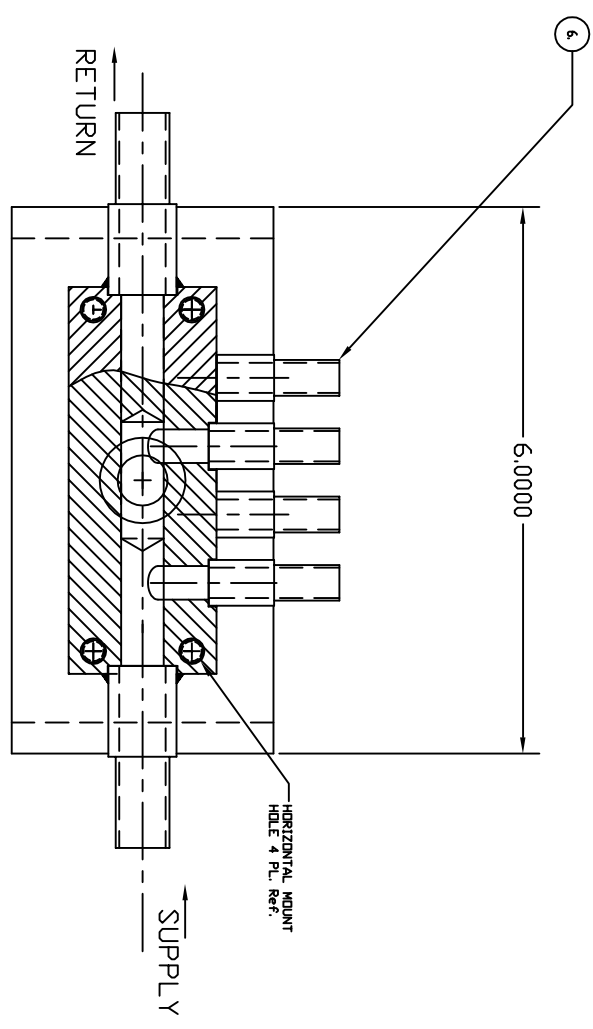
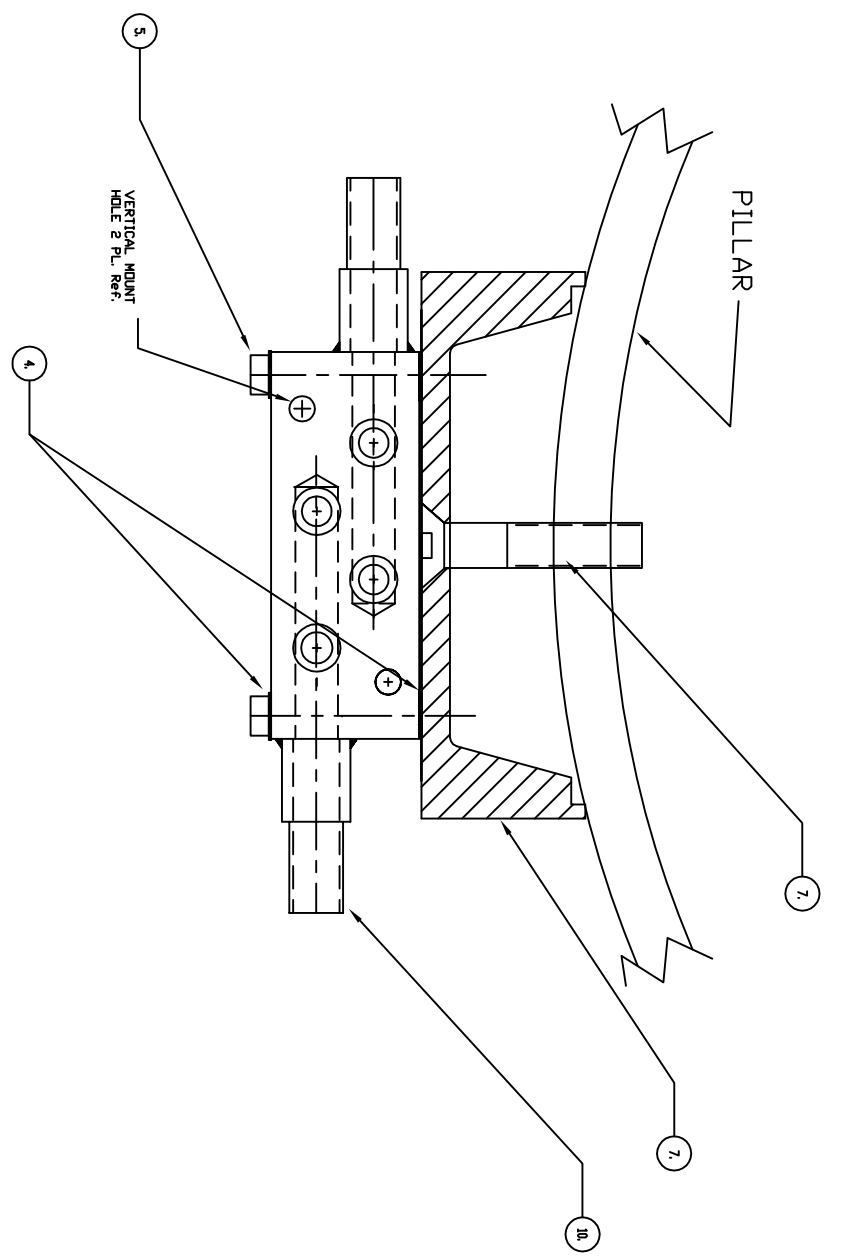


NOTES: (UNLESS OTHERWISE SPECIFIED)



NO.	QUANTITY	PART NUMBER	DESCRIPTION	SUPPLIER
19.				
18.				
17.				
16.				
15.				
14.				
13.				
12.				
11.				
10.				
9.				
8.				
7.				
6.				
5.				
4.				
3.				
2.				
1.			S STL. WASHER	MC MASTER
ITEM REQ. SPARE TOT.				
PART NUMBER				
DESCRIPTION				
SUPPLIER				

DESIGNER		DATE	
CHECKED		DATE	
APPROVED		DATE	
SCALE		SHEET 1 OF 3	
PART NAME		PROJECT	
DRAWING NO.		REV	
D030098-A			

REV	DATE	BY	DESCRIPTION
1			
2			
3			