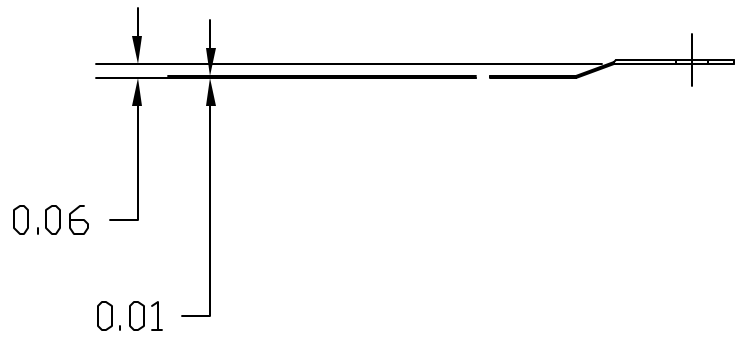
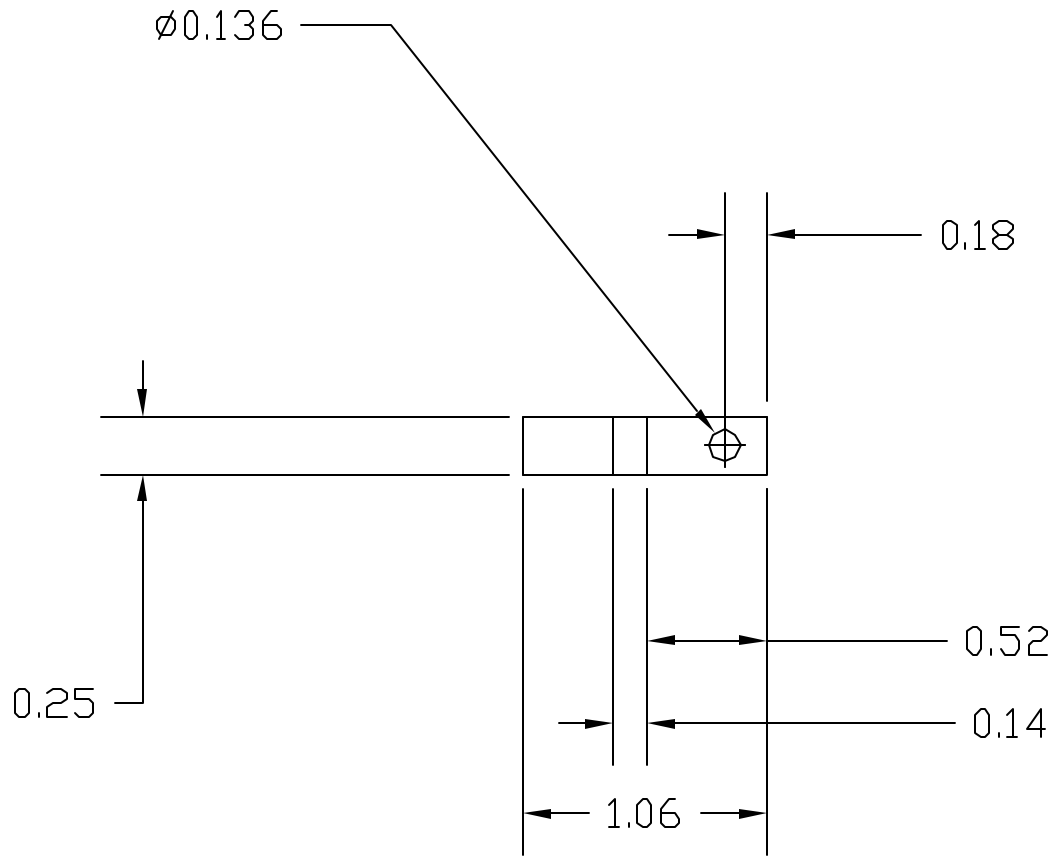



NOTES: (UNLESS OTHERWISE SPECIFIED)
 1. PART MUST BE FREE OF PAINT AND MILL MARKS
 2. ROUND ALL CORNERS, NO SHARP EDGES

REV.	DATE	DCN #	DRAWING TREE #
A	3.31.03	E030164-00-0	-



ITEM NO.	REQ.	SPARE	TOT. QUANTITY	PART NUMBER	DESCRIPTION	SUPPLIER
PARTS LIST						
UNLESS OTHERWISE SPECIFIED: DIMENSIONS ARE IN INCHES				DRAWN	DATE	NAME
TOLERANCES: .XX ± 0.01 .XXX ± 0.005 ANGULAR: X ± 1 DEG XX ± 0.2 DEG				CHECKED	3.31.03	M.R. SMITH
MATERIAL: SS SHIN STOCK				 CALIFORNIA INSTITUTE OF TECHNOLOGY MASSACHUSETTS INSTITUTE OF TECHNOLOGY		
FINISH: NATURAL				40 METER INTERFEROMETER FARADAY ISOLATOR CLIP-BREWSTER MIRROR		
COMMENTS: BREAK CORNERS AND EDGES REMOVE ALL BURRS				SIZE	DWG. NO.	REV
				B	D030177-A-D	A
				SCALE:	SHEET 1 OF 1	