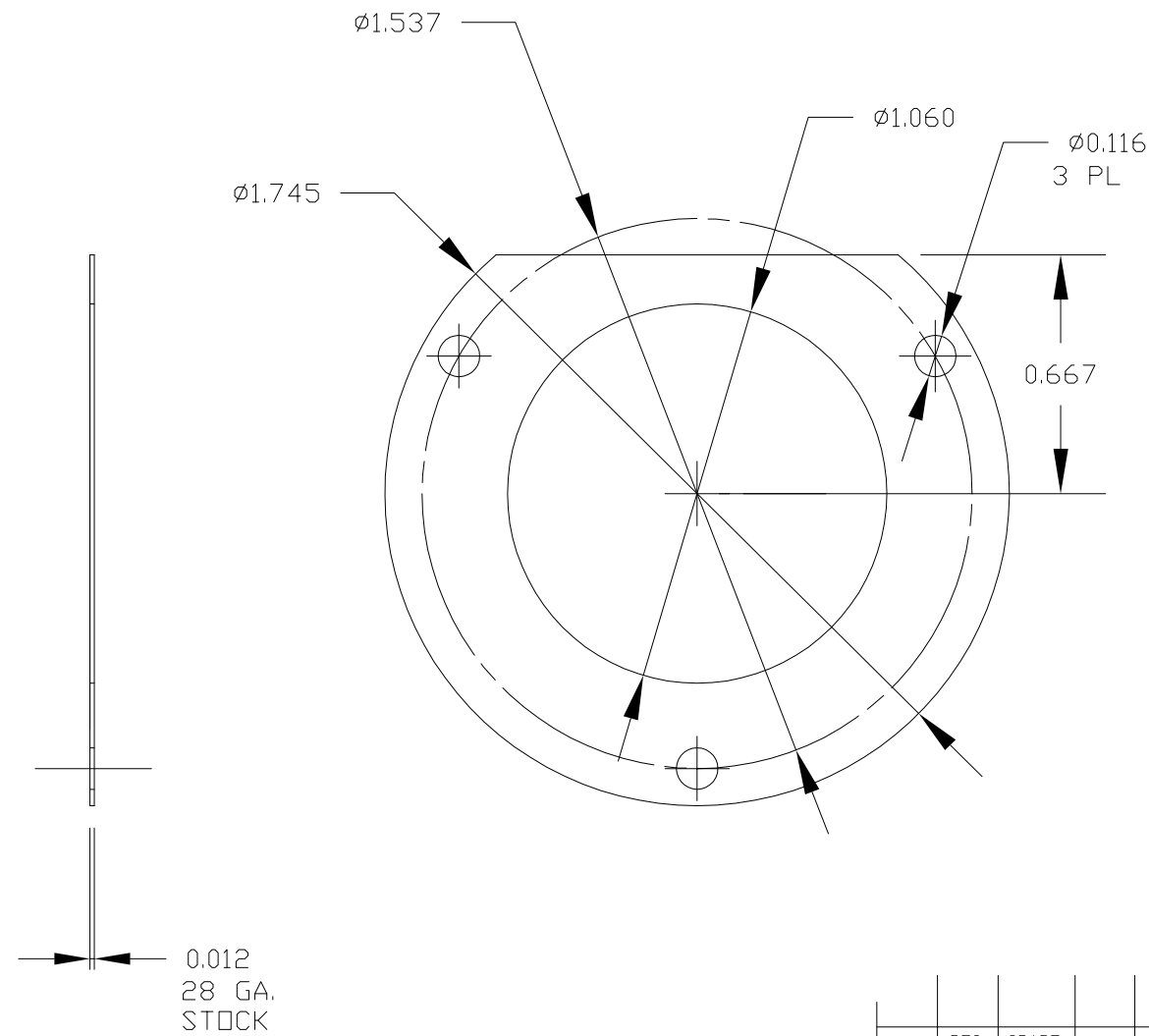


NOTES: (UNLESS OTHERWISE SPECIFIED)

MAKE ONE PER ASSEMBLY

REV.	DATE	DCN #	DRAWING TREE #
A	4/20/04	E040170-00-D	



BAG AND TAG
WITH DRAWING
NUMBER

ITEM NO.	REQ.	SPARE	TOT.	QUANTITY	PART NUMBER	DESCRIPTION	SUPPLIER
PARTS LIST							
UNLESS OTHERWISE SPECIFIED: DIMENSIONS ARE IN INCHES				DRAWN	DATE	NAME	LIGO CALIFORNIA INSTITUTE OF TECHNOLOGY MASSACHUSETTS INSTITUTE OF TECHNOLOGY
TOLERANCES: .XX±: .XXX±: ANGULAR:±				CHECKED	4/20/04	KENM	
MATERIAL SILVER SHEET STOCK				COMMENTS:			SYSTEM SOS BAFFLES
FINISH N/A							SUB-SYSTEM MMT1 BEAM DUMP TRAP
							NEXT ASSY D030390-D030388
							PART NAME WASHER, THERMAL, BEAM TRAP MMT1
				SIZE B	DWG. NO. D030206-A	REV A	
				SCALE:			SHEET 1 OF 1