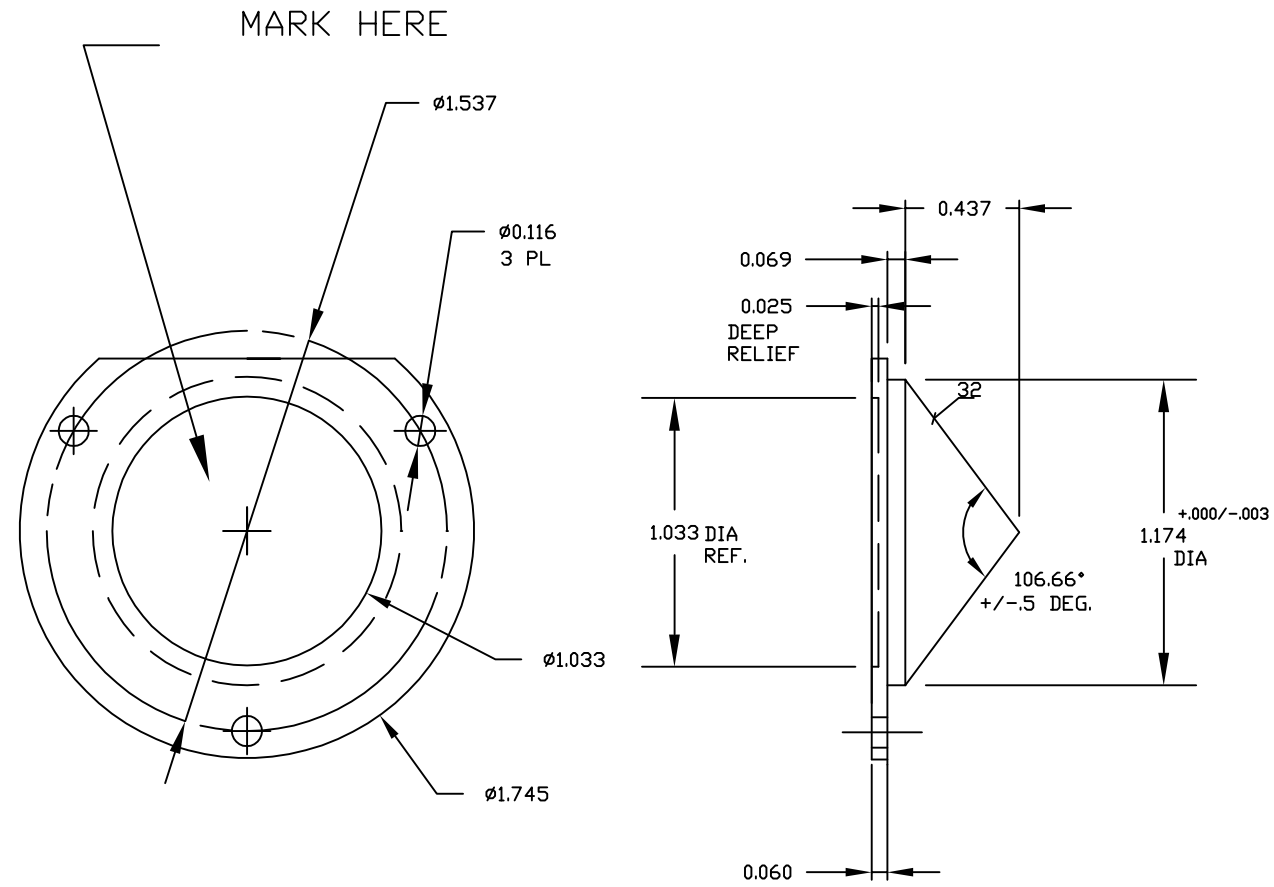


NOTES: (UNLESS OTHERWISE SPECIFIED)

MAKE ONE PER ASSEMBLY
 REF. WILL BE ELECTRO POLISHED .001/.002" TOTAL DIA.
 SEE FURNACE BAKE DOC. T040287



MATERIAL: 304 STAINLESS STEEL

XX= +/- .01
 XXX= +/- .005

REV.	DATE	DCN #	DRAWING TREE #
A	4/20/04	E040170-00-D	

ITEM NO.	REQ.	SPARE	TOT.	QUANTITY	PART NUMBER	DESCRIPTION	SUPPLIER
PARTS LIST							
UNLESS OTHERWISE SPECIFIED:				DATE	NAME	LIGO CALIFORNIA INSTITUTE OF TECHNOLOGY MASSACHUSETTS INSTITUTE OF TECHNOLOGY	
DIMENSIONS ARE IN INCHES				DRAWN	4/20/04	KENM	
TOLERANCES:				CHECKED			SYSTEM LLO/LHO
.XX±:							SUB-SYSTEM ERRANT BEAM BAFFLES
.XXX±:							NEXT ASSY TBD
ANGULAR:±							PART NAME LLO-LHO BEAM TRAP BASE MMT1
MATERIAL				COMMENTS:		SIZE	DWG. NO.
304 STAINLESS						B	D030210-A
FINISH						REV	A
						SCALE:	SHEET 1 OF 1