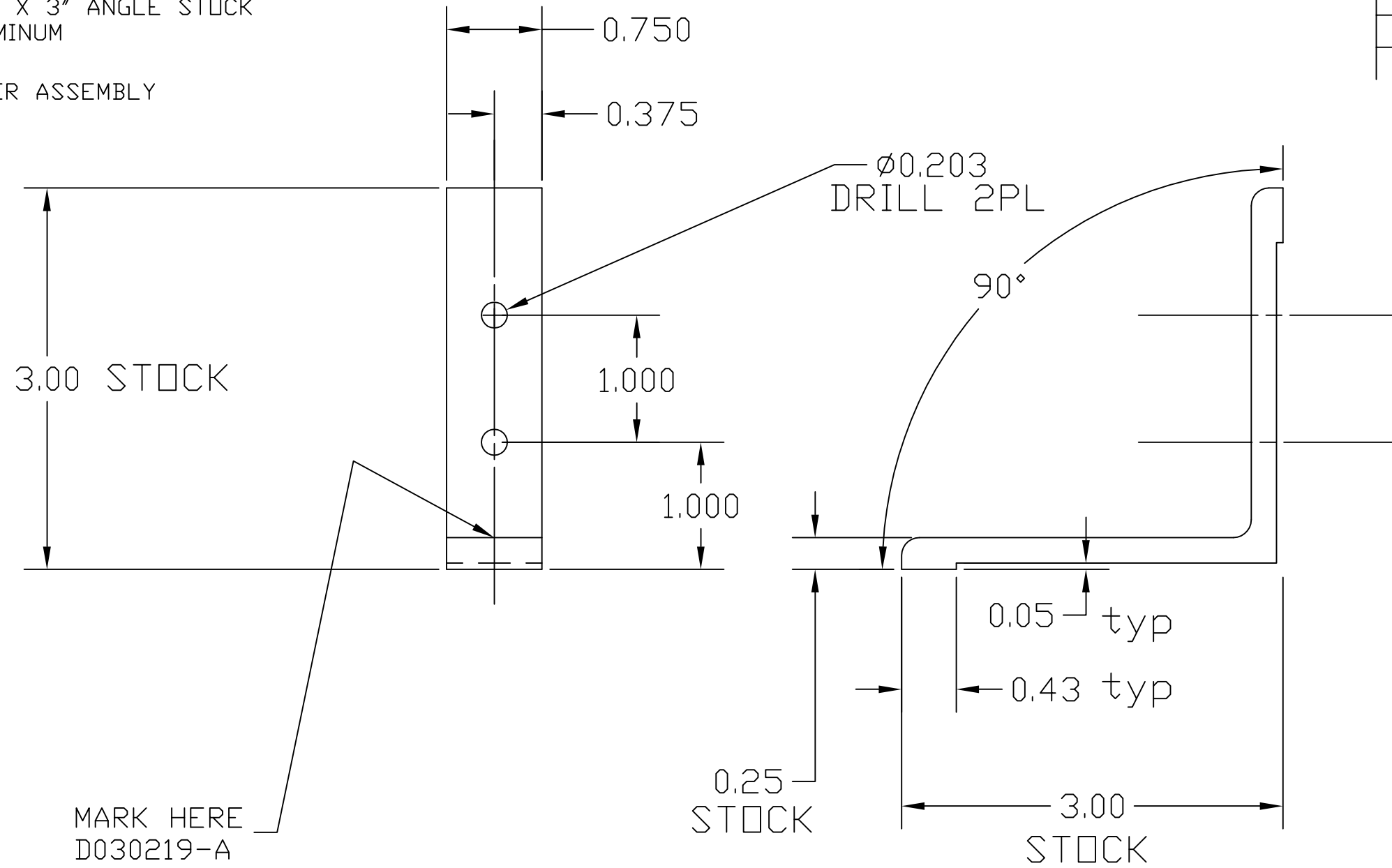


NOTES: (UNLESS OTHERWISE SPECIFIED)

1/4" X 3" X 3" ANGLE STOCK
6061 ALUMINUM

MAKE 2 PER ASSEMBLY



REV.	DATE	DCN #	DRAWING TREE #
A	4/20/04	E040170-00-R	

ITEM NO.	REQ.	SPARE	TOT. QUANTITY	PART NUMBER	DESCRIPTION	SUPPLIER
PARTS LIST						
UNLESS OTHERWISE SPECIFIED: DIMENSIONS ARE IN INCHES				DATE	NAME	LIGO CALIFORNIA INSTITUTE OF TECHNOLOGY MASSACHUSETTS INSTITUTE OF TECHNOLOGY
TOLERANCES: .XX±: .XXX±: ANGULAR±:				DRAWN	4/20/04	KENM
MATERIAL ALUM 3" ANGLE				CHECKED		
FINISH N/A						
				SYSTEM	LLO/LHO	
				SUB-SYSTEM	ERRANT BEAM BAFFLES	
				NEXT ASSY	TBD	
				COMMENTS:	PART NAME TUBE BAFFLE FOOT NON-THREADED	
				SIZE	DWG. NO.	REV
				B	D030219-A	A
				SCALE:	SHEET 1 OF 1	