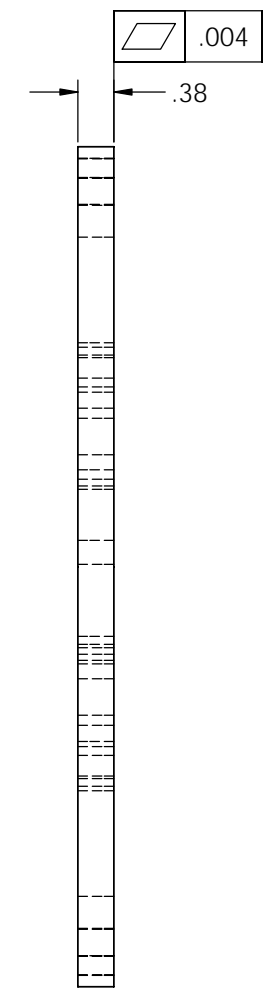
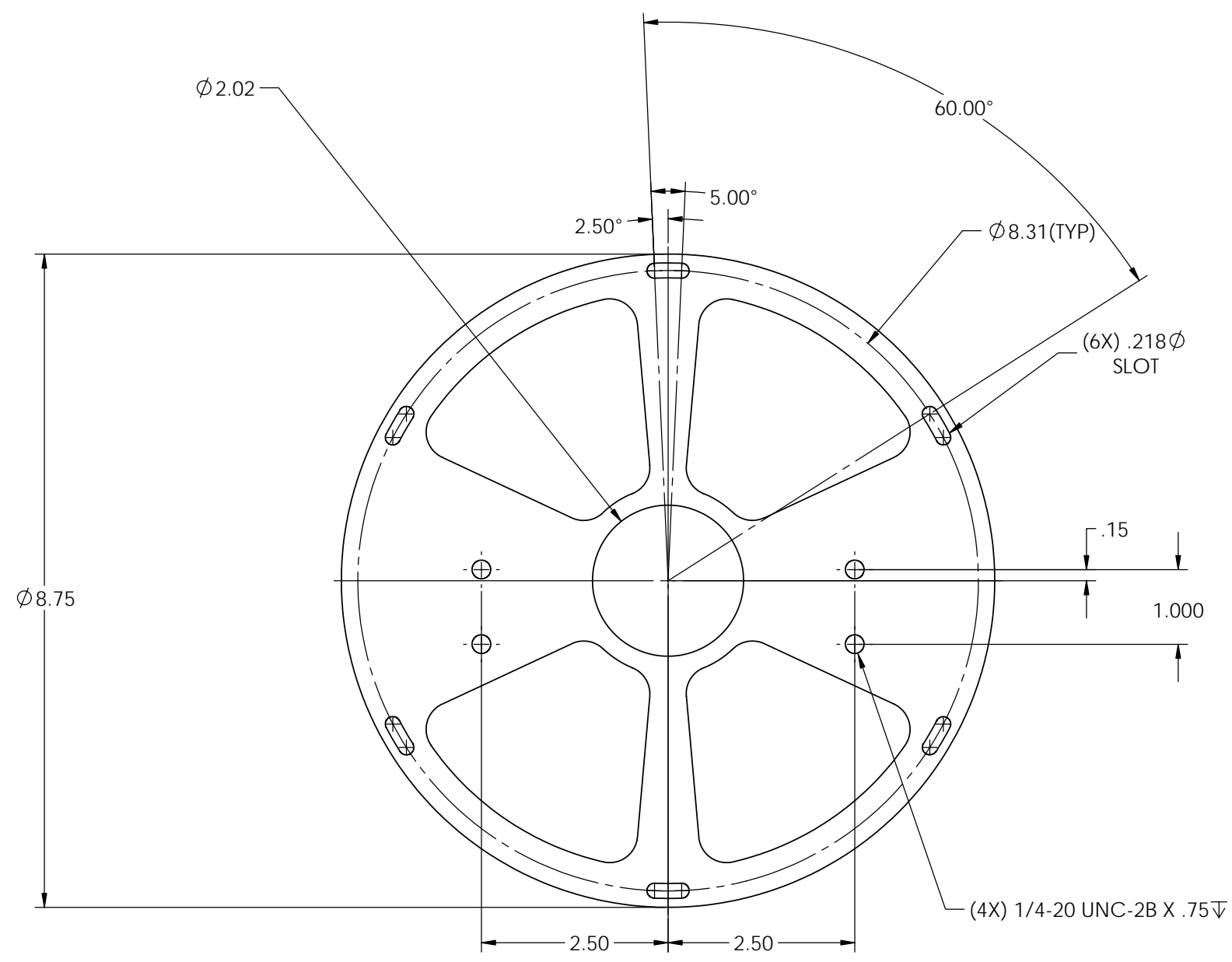



ZONE		REV		DESCRIPTION	DATE	APPROVED



UNLESS OTHERWISE SPECIFIED: DECIMALS ANGLES .X ± .06 ± 1 .XX ± .01 ± .5 .XXX ± .005		 <b>CALIFORNIA INSTITUTE OF TECHNOLOGY</b> <b>MASSACHUSETTS INSTITUTE OF TECHNOLOGY</b>	
DRAWN	K. MASON	6/22/03	TITLE: UPPER PLATE ISC PERISCOPE
CHECKED			
MATERIAL	MIC 6		SIZE <b>D</b>
FINISH	NONE		DWG. NO. D030248-00-D
DO NOT SCALE DRAWING			REV <b>0</b>
		SCALE: 1:1	CAD FILE D030248-00.D030248
			SHEET 1 OF 1