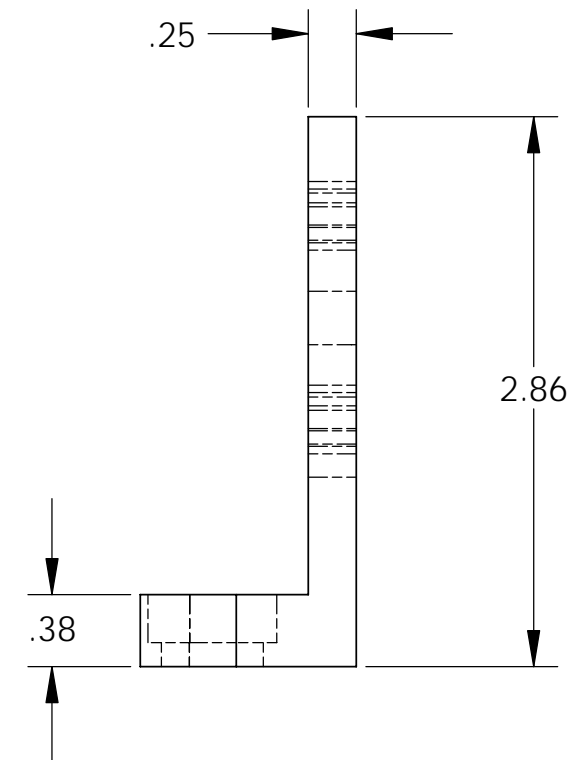
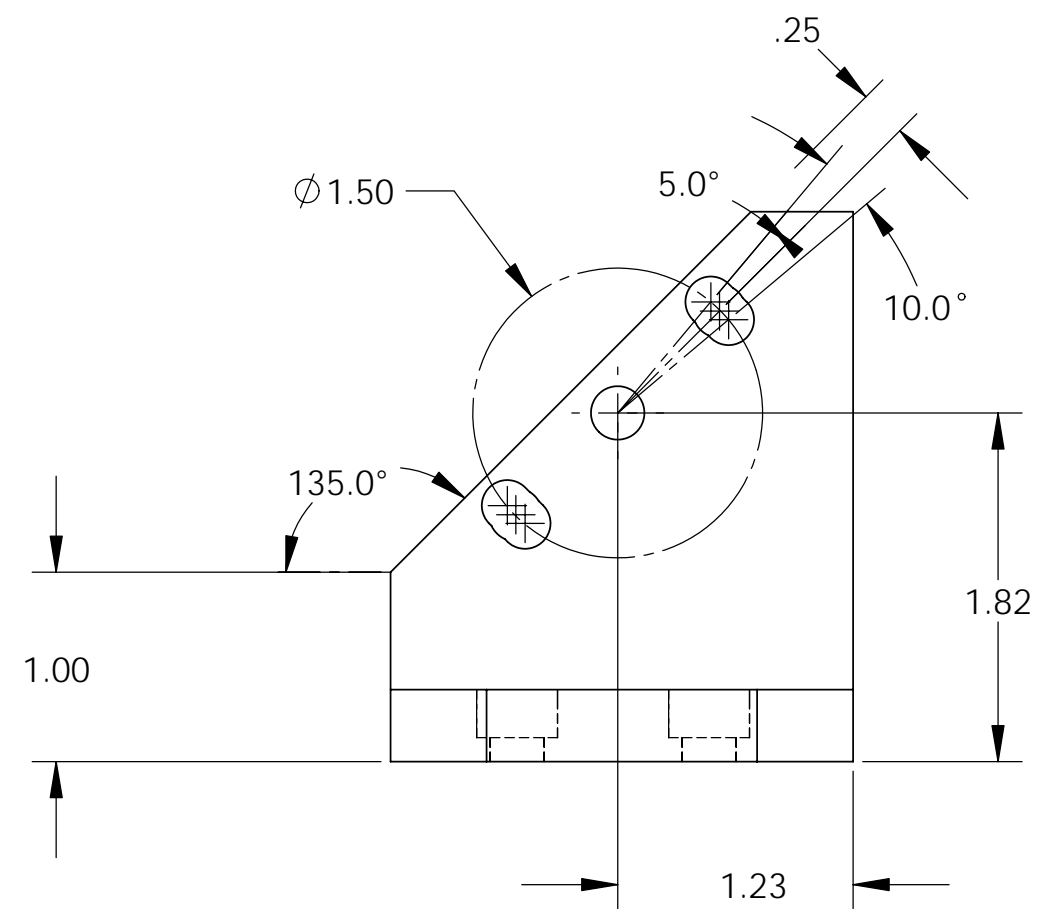
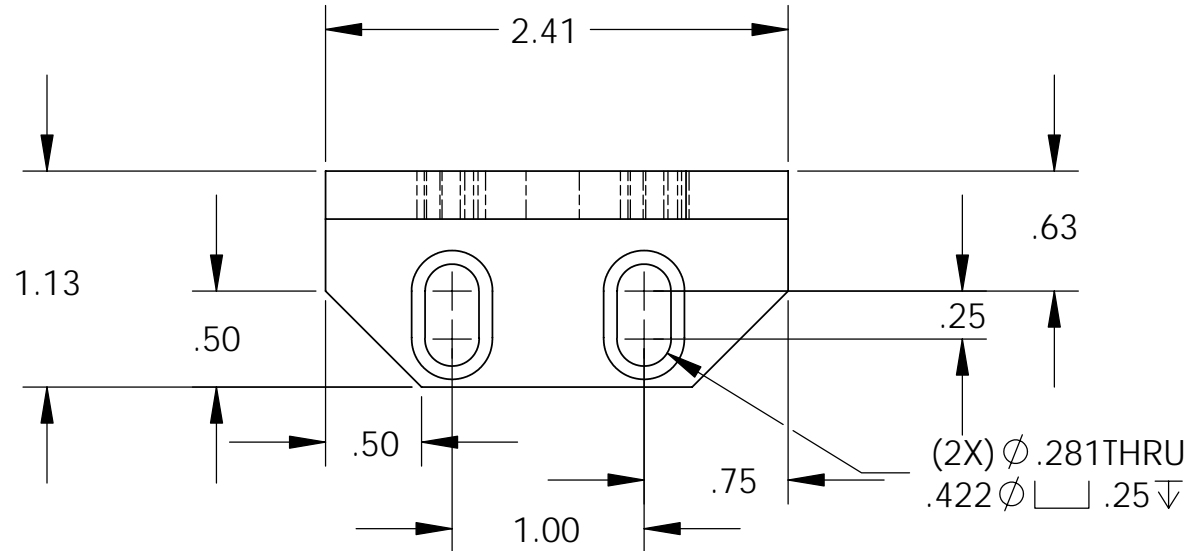



| REVISIONS | | | |
|-----------|-------------|------|----------|
| REV. | DESCRIPTION | DATE | APPROVED |
| | | | |
| | | | |
| | | | |



| | | | | | |
|---|--|-----------------------------|---|------------------------------------|----------|
| UNLESS OTHERWISE SPECIFIED DIMENSIONS ARE IN INCHES TOLERANCES ARE: DECIMALS ANGLES .X ± .06 .XX ± .01 ±1 .XXX ± .005 | CAD GENERATED DRAWING, DO NOT MANUALLY UPDATE | |  CALIFORNIA INSTITUTE OF TECHNOLOGY MASSACHUSETTS INSTITUTE OF TECHNOLOGY | | |
| | APPROVALS DRAWN K. MASON | DATE 6/22/03 | | LEFT MIRROR MOUNT ISC PERISCOPE | |
| | CHECKED K. MASON | RESP ENG | | | |
| | MFG ENG | QUAL ENG | | | |
| MATERIAL 6061-T6 AL | FINISH NONE | DO NOT SCALE DRAWING | SIZE B | DWG. NO. D030255-00 | REV 0 |
| SCALE 1:2 | | CAD FILE: D030255-00.SLDDRW | SHEET 1 OF 1 | | |