

8

7

6

5

4

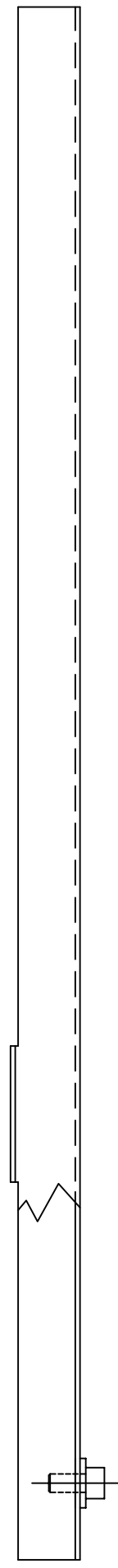
3

2

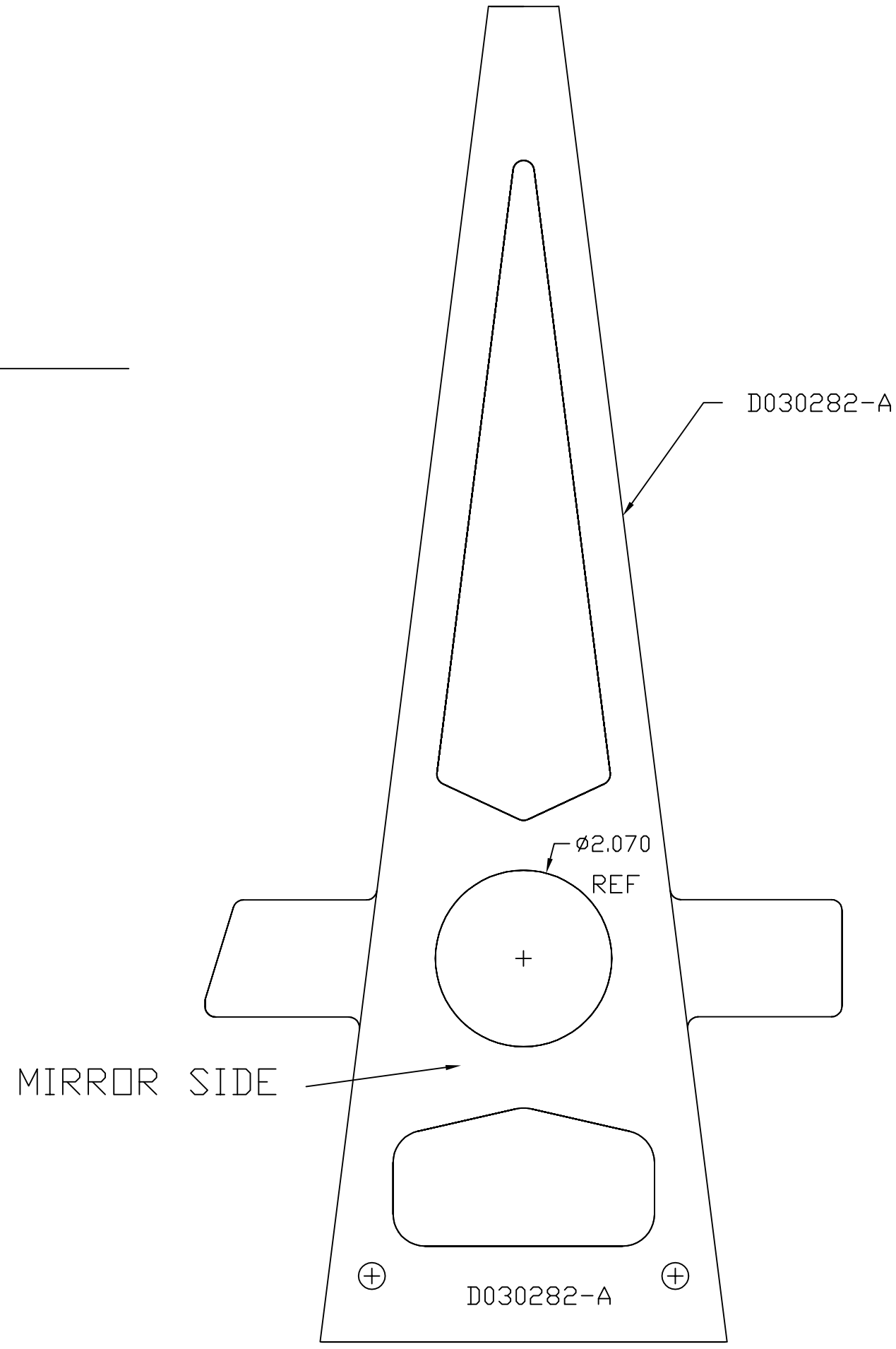
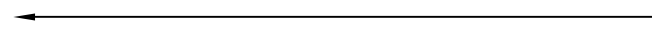
1

NOTES: (UNLESS OTHERWISE SPECIFIED)

REV.	DATE	DCN #	DRAWING TREE #
A	4-20-04	E040304-00-D	



MIRROR SIDE REF



SEE MASTER LASER CUT DRAWING D040267-A

ITEM NO.	REQ. QUANTITY	SPARE	TOT.	PART NUMBER	DESCRIPTION	SUPPLIER
PARTS LIST						
UNLESS OTHERWISE SPECIFIED: DIMENSIONS ARE IN INCHES				DATE	NAME	
TOLERANCES: XX ± .005 XXX ± .01 ANGULAR ± 3 DEG MATERIAL N/A FINISH NONE				DRAWN	4/20/04	KENM
				CHECKED		
				LIGO CALIFORNIA INSTITUTE OF TECHNOLOGY MASSACHUSETTS INSTITUTE OF TECHNOLOGY		
				SYSTEM LLO		
				SUB-SYSTEM ERRANT BEAM BAFFLES		
				NEXT ASSY N/A		
				PART NAME BAFFLE LHO 4K HAM2 MMT2		
				SIZE	DWG. NO.	REV
				C	D030282-A	A
				SCALE:	SHEET 1 OF 1	