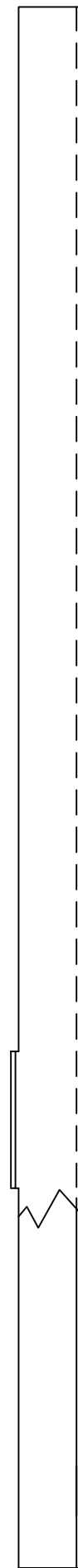
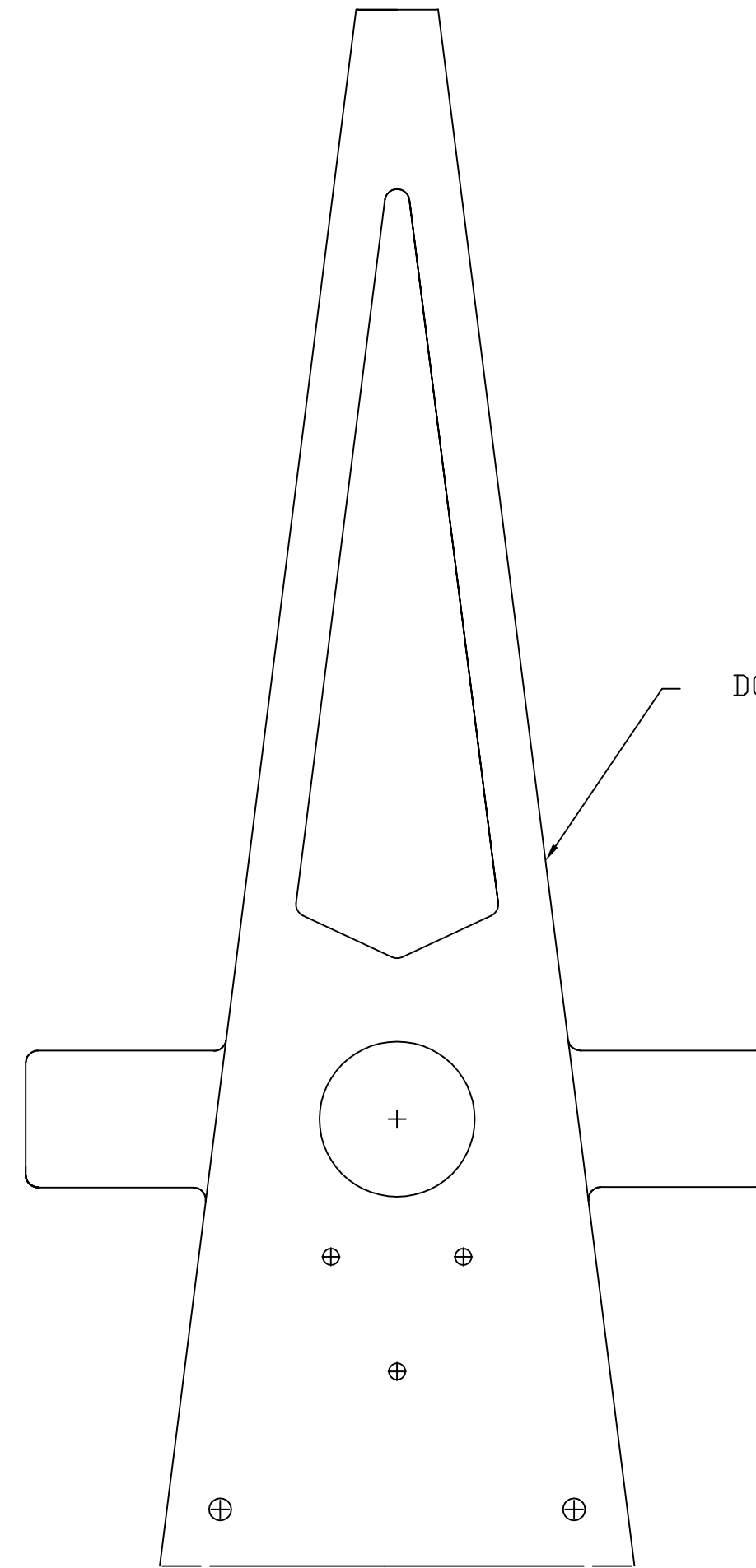
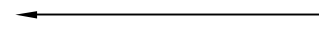


NOTES: (UNLESS OTHERWISE SPECIFIED)

REV.	DATE	DCN #	DRAWING TREE #
A	4-20-04	E040304-00-D	



MIRROR SIDE REF.



SEE MASTER LASER CUT DRAWING D040267-A

ITEM NO.	REQ. QUANTITY	SPARE	TOT. QUANTITY	PART NUMBER	DESCRIPTION	SUPPLIER
PARTS LIST						
UNLESS OTHERWISE SPECIFIED:				DATE	NAME	
DIMENSIONS ARE IN INCHES				DRAWN	4/20/04	KENM
TOLERANCES:				CHECKED		
XX ± .005						
XXX ± .01						
ANGULAR ± 3 DEG						
MATERIAL				COMMENTS:		
N/A				LIGO CALIFORNIA INSTITUTE OF TECHNOLOGY MASSACHUSETTS INSTITUTE OF TECHNOLOGY		
FINISH				SIZE	DWG. NO.	REV
NONE				C	D030303-A	A
				SCALE:	SHEET 1 OF 1	