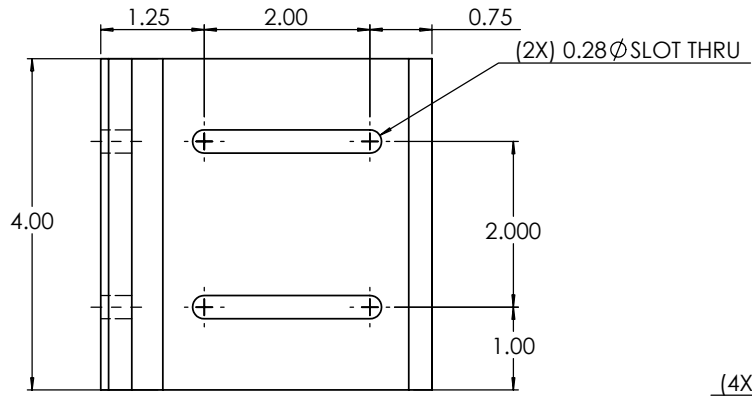
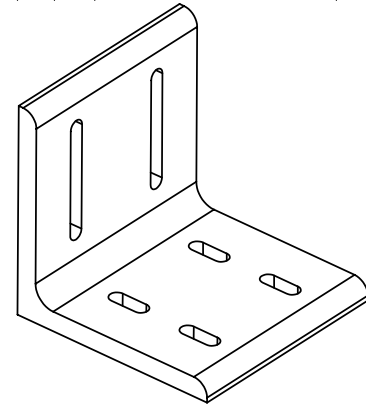
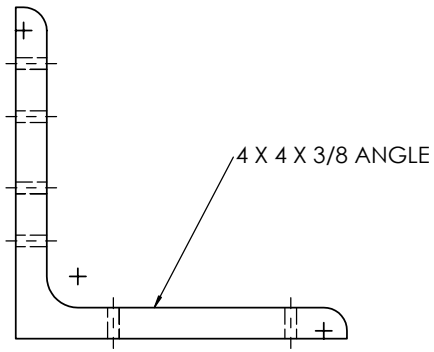
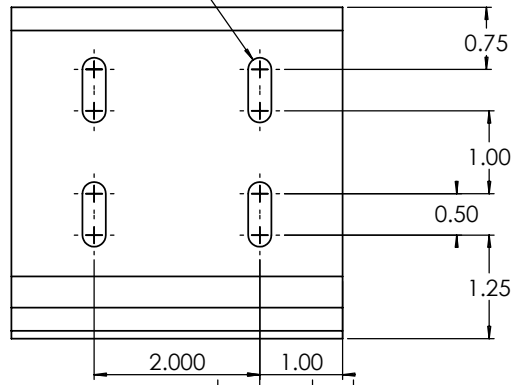


REV.	DATE	DCN #	DRAWING TREE #



(4X) 0.28Ø SLOT THRU



ITEM NO.	REQ. QUANTITY	SPARE	TOT.	PART NUMBER	DESCRIPTION	SUPPLIER
PARTS LIST						
UNLESS OTHERWISE SPECIFIED:				DATE	NAME	<b>CALIFORNIA INSTITUTE OF TECHNOLOGY</b> <b>MASSACHUSETTS INSTITUTE OF TECHNOLOGY</b>
DIMENSIONS ARE IN INCHES				7/14/03	D MASON	
TOLERANCES:				CHECKED	SYSTEM	
.XX ±: .01						
.XXX ±: .005						
ANGULAR: ±1						
MATERIAL:				NEXT ASSY		OPTIC STAND
6061-T6 AL				PART NAME		FOOT
FINISH				COMMENTS:		SIZE
NONE						<b>B</b>
				DWG. NO.		D030327-00-D
				SCALE: 1:2		REV
				D030327-00.SLDDRW		
				SHEET 1 OF 1		

NOTES: (UNLESS OTHERWISE SPECIFIED)  
 1. REMOVE ALL BURRS AND BREAK SHARP EDGES TO A MAXIMUM OF .015  
 2. PART NUMBER (DRAWING NO., DASH NO., REVISION NO., SERIAL NO.) TO BE CLEARLY MARKED ON THE PART ITSELF