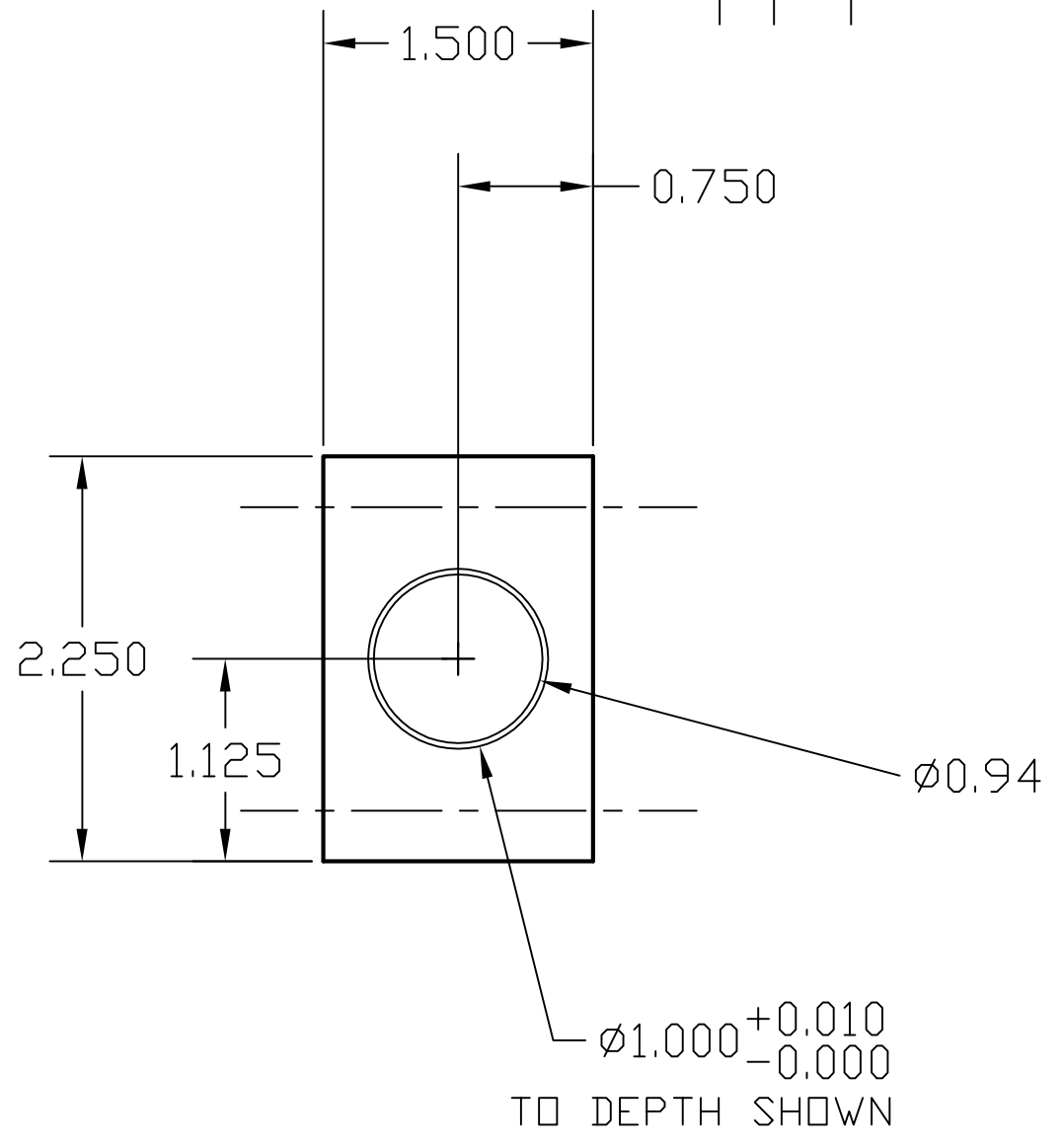
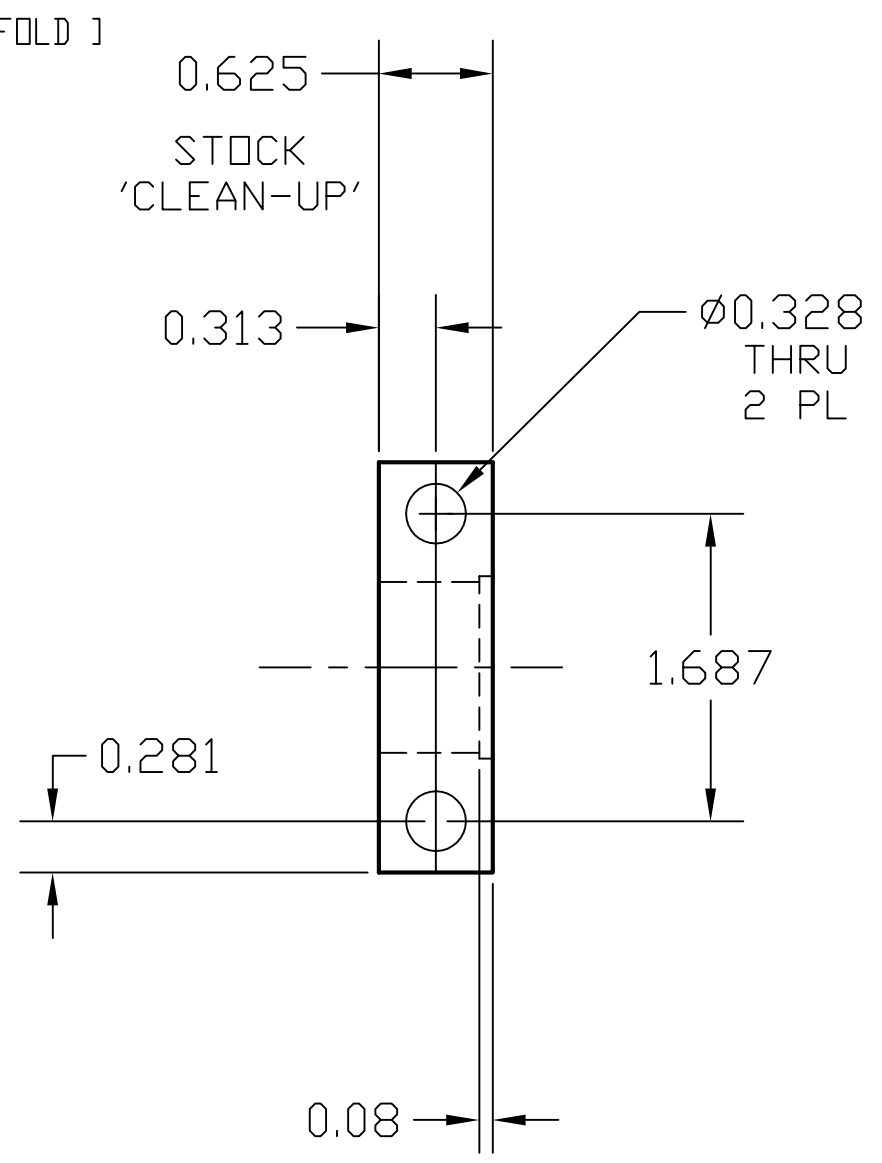


NOTES: (UNLESS OTHERWISE SPECIFIED)

BREAK EDGES AND CORNERS

MAKE 6 TOTAL [2 PRE MANIFOLD]

REV.	DATE	DCN #	DRAWING TREE #
A	4/21/04	E040214-00-D	



ITEM NO.	REQ.	SPARE	TOT.	QUANTITY	PART NUMBER	DESCRIPTION	SUPPLIER
PARTS LIST							
UNLESS OTHERWISE SPECIFIED: DIMENSIONS ARE IN INCHES				DRAWN	DATE	NAME	LIGO CALIFORNIA INSTITUTE OF TECHNOLOGY MASSACHUSETTS INSTITUTE OF TECHNOLOGY
TOLERANCES: .XX±: .XXX±: ANGULAR:±				CHECKED	4/21/04	KENM	SYSTEM LASTI SITE
MATERIAL 303 STAINLESS MC MASTER #9084K683				COMMENTS:			SUB-SYSTEM HEPI
FINISH N/A							NEXT ASSY TBD
						PART NAME LASTI MANIFOLD END CAP-FITTING SIDE	
		SIZE	DWG. NO.			REV	
		B	D030434-A			A	
SCALE:						SHEET 1 OF 1	