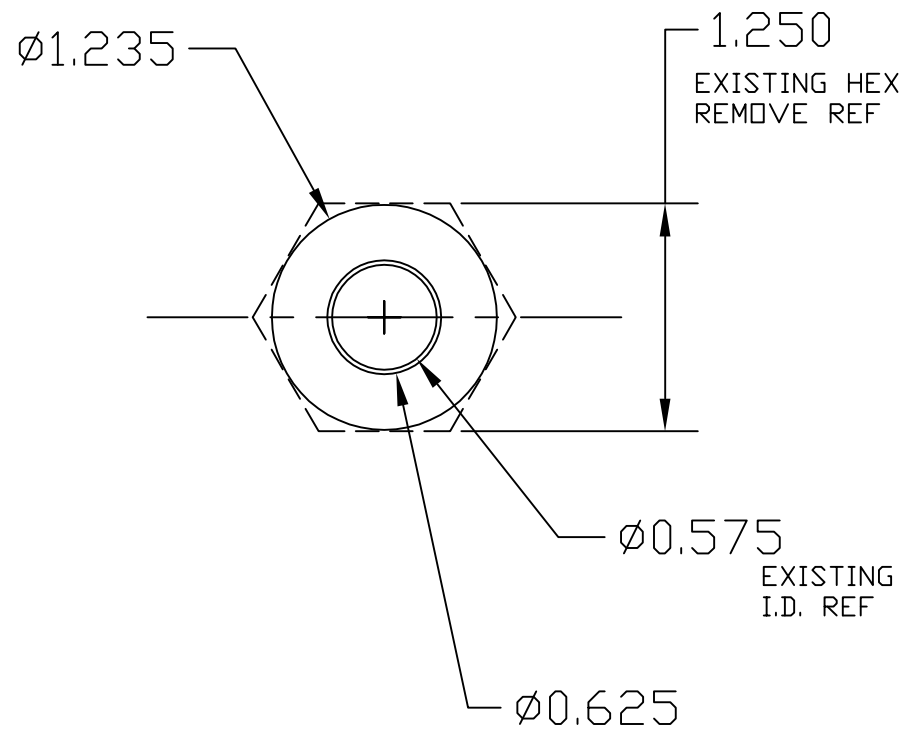
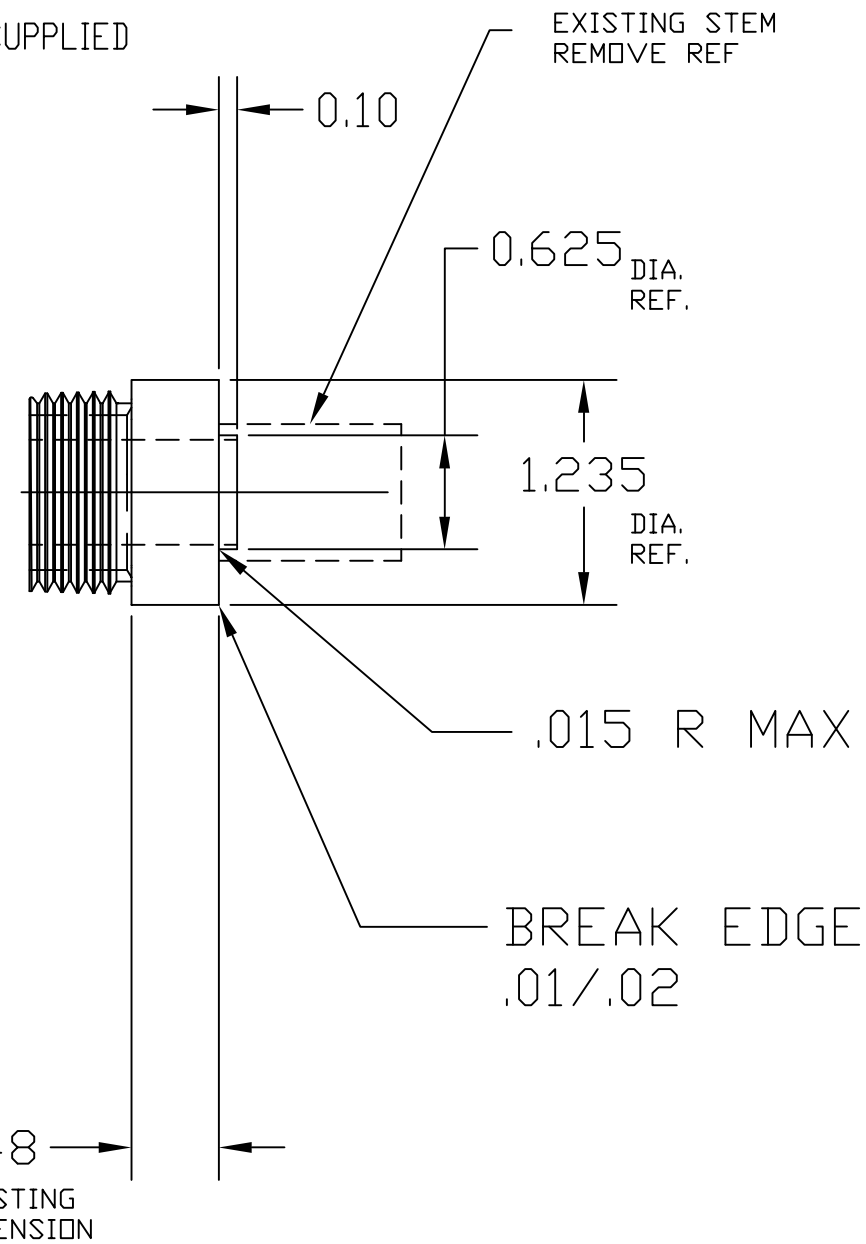


NOTES: (UNLESS OTHERWISE SPECIFIED)

MATERIAL: THREADED FITTING SUPPLIED
SWAGelok SS-12-TA-12ST

REV.	DATE	DCN #	DRAWING TREE #
A	4/21/04	E040214-00-D	



MODIFY AS SHOWN

ITEM NO.	REQ.	SPARE	TOT.	QUANTITY	PART NUMBER	DESCRIPTION	SUPPLIER
PARTS LIST							
UNLESS OTHERWISE SPECIFIED:				DATE	NAME	LIGO CALIFORNIA INSTITUTE OF TECHNOLOGY MASSACHUSETTS INSTITUTE OF TECHNOLOGY	
DIMENSIONS ARE IN INCHES				DRAWN	4/21/04	KENM	
TOLERANCES:				CHECKED			SYSTEM EPI
.XX±:							SUB-SYSTEM HEPI
.XXX±:							NEXT ASSY TBD
ANGULAR±:							PART NAME MANIFOLD ACCUMULATOR FITTING
MATERIAL				COMMENTS:		SIZE	DWG. NO.
FINISH N/A						B	D030437-A
						REV	A
SCALE:						SHEET 1 OF 1	