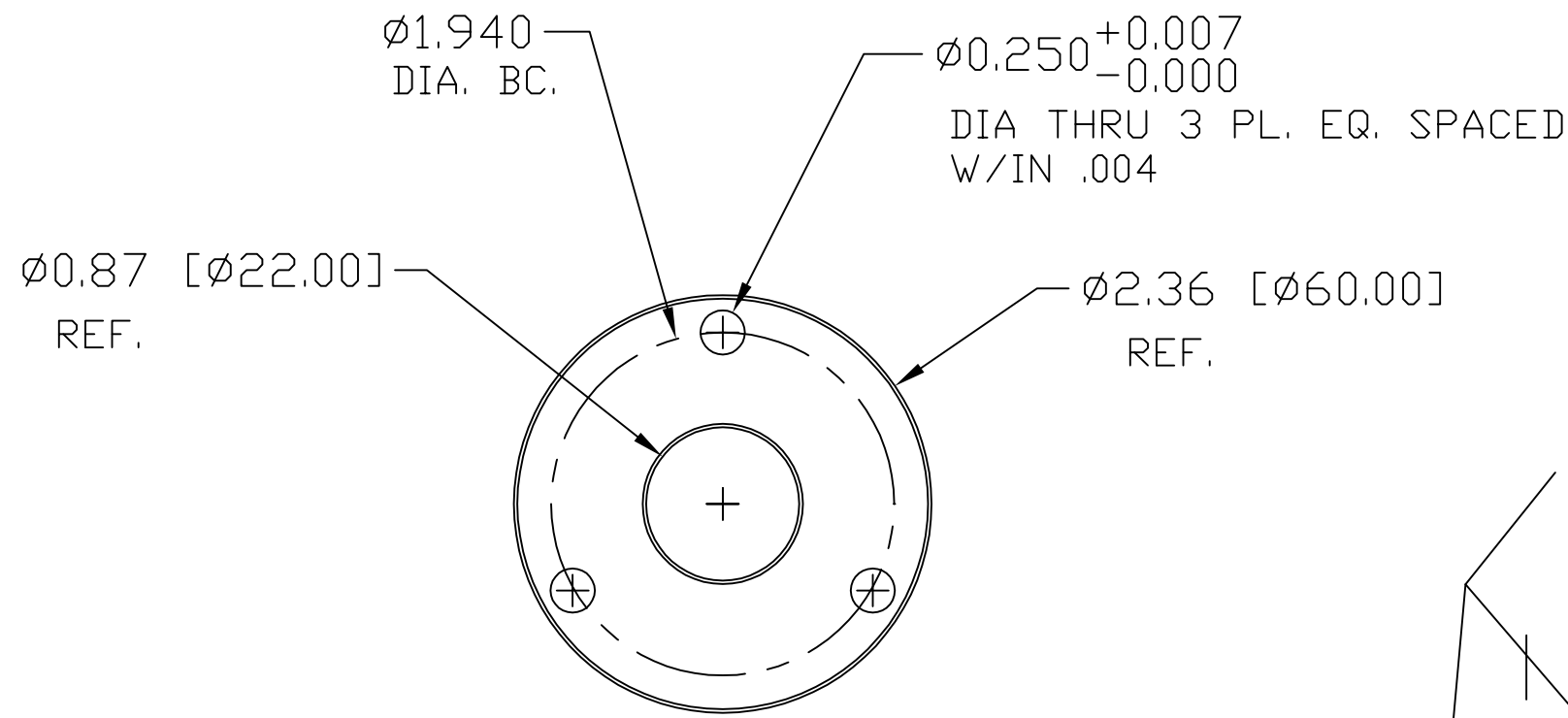


NOTES: (UNLESS OTHERWISE SPECIFIED)

REV.	DATE	DCN #	DRAWING TREE #
A	4/21/04	E040124-00-D	

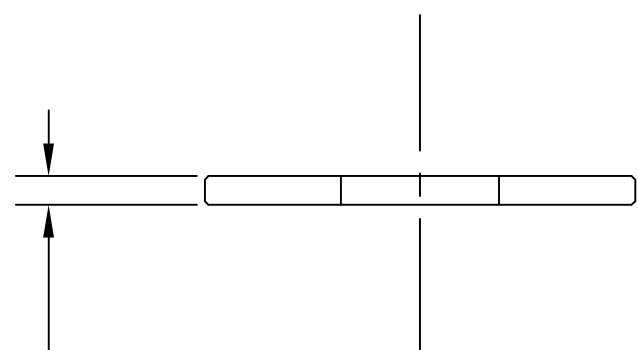
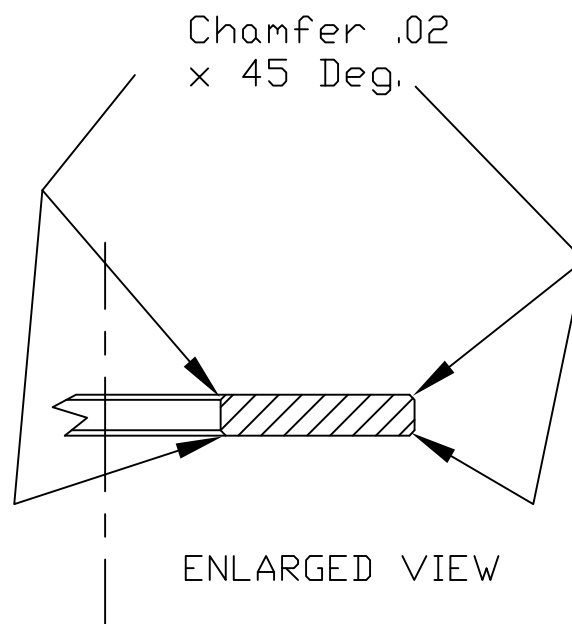


MATERIAL: STAINLESS STEEL METRIC WASHER
MATERIAL: SUPPLIED BY CALTECH

SURFACE: BOTH SIDES LAPPED FOR FLATNESS

SURFACE: FLAT TO APPROX .07" FROM OD

THICKNESS: NOMINAL
OUTSIDE DIA. NOMINAL
INSIDE DIA. NOMINAL



ITEM NO.	REQ.	SPARE	TOT.	QUANTITY	PART NUMBER	DESCRIPTION	SUPPLIER
PARTS LIST							
UNLESS OTHERWISE SPECIFIED:				DATE	NAME	LIGO CALIFORNIA INSTITUTE OF TECHNOLOGY MASSACHUSETTS INSTITUTE OF TECHNOLOGY	
DIMENSIONS ARE IN INCHES				DRAWN	4/21/04	KENM	
TOLERANCES:				CHECKED			SYSTEM LASTI
.XX±:							SUB-SYSTEM LASTI HYDRAULIC
.XXX±:							NEXT ASSY D030072-A
ANGULAR±:							PART NAME RESISTOR, WASHER MODIFICATION, TEST LOAD
MATERIAL				COMMENTS:		SIZE	DWG. NO.
S. STL						B	D030446-A
MC MASTER CARR							REV
FINISH							A
						SCALE:	SHEET 1 OF 1